

Flying Order

26th FAI WAC, Foligno

Organising Club: iFly
Contest date: Aug. 31. - Sep. 11.
Contest Director: Dario Costa
Chief Judge: Graham Hill

Sequence: Programme 1: Free Programme

Level: Unlimited

Pilot	Aeroplane	Registration	Multi-Use	Team
Warm-Up				
W1 Francois Rallet	Extra 330SC	F-TGCJ	2	
W2 Anton Berkutov	Sukhoi 26M3	RF-01059	9	
Group-I				
1 Nigel Hopkins	MXS	N540JH	1	RSA
2 Richard Wiltshire	Extra 330S	D-EVVV	8	AUS
3 Jan Rozlivka	Sukhoi 31M	OK-HXB	11	CZE
4 Michael Golan	CAP 232	N-862DM	-	ISR
5 Jérôme Cusin	Extra 330SC	HB-MTM	-	SUI
6 Tim Just	Extra 300S	N434TJ	-	USA
7 Paul Andronicou	Extra 300S	D-EVVV	8	AUS
8 Heinrich Sauels	Extra 330SC	D-EXHH	10	GER
9 Mark Hensman	MXS	N540JH	1	RSA
10 Ginfranco Cillario	CAP 231	F-GDTT	-	ITA
11 Andrey Bepalov	Sukhoi 26M3	RF-00665	3	RUS
12 Vittorio Primultini	Extra 300S	D-EVVV	8	ITA
13 Jan Adamec	Sukhoi 31M	OK-HXB	11	CZE
14 Heike Sauels	Extra 330SC	D-EXHH	10	GER
15 Mark Sampson	MXS	N540JH	1	RSA
16 Yoshihide Muroya	Sbach 342	D-ERXA	-	JPN
17 Hanspeter Rohner	Extra 330SC	HB-MTR	-	SUI
Group-II				
18 Pierre Marmy	Sukhoi 26	HB-MSO	-	SUI
19 Victor Chmal	Sukhoi 26M3	RF-01059	9	RUS
20 Petr Kopfstein	Extra 330SC	OK-KOP	-	CZE
21 Tamas Illes	Edge 540T	N540TA	-	HUN
22 Juan Velarde	H/c Sukhoi 26	EC-HYU	12	IND
23 Jeff Boerboon	Extra 330SC	N73KG	-	USA
24 Martin Sonka	Extra 330SR	HA-BES	-	CZE
25 Martin Albrecht	Extra 330SC	D-EXMT	-	GER
26 Alexander Krotov	Sukhoi 26M3	RF-01059	9	RUS
27 Anatoly Belov	H/c Sukhoi 26M3	RF-00665	3	IND
28 Pierre Varloteaux	Extra 330SC	F-TGCJ	2	FRA
29 Michael Vaknin	Extra 300S	D-EVVV	8	USA
30 Ulrich Pade	Sbach 300	E-EPXA	-	GER
31 Marek Hyka	Extra 330LC	OK-ELC	-	CZE
32 Alexander Gretsev	Sukhoi 26M3	RF-01059	9	RUS
33 Michael Racy	Sukhoi 26M3	RF-00665	3	USA
34 Anselmo Gamez	H/c Sukhoi 26	EC-HYU	12	IND
Group-III				
35 Kathel Boulanger	Sbach 300	D-EMKF	4	FRA
36 Gerald Cooper	Sbach 300	G-IIRI	6	GBR
37 Elena Klimovich	Sukhoi 26M3	RF-00631	5	RUS
38 Aude Lemordant	CAP 232	F-HERA	7	FRA
39 Tom Cassells	CAP 232	G-IITC	-	GBR
40 Nicolas Ivanoff	Edge 540	N4767	-	FRA
41 Francois Levot	Extra 330SC	F-TGCJ	2	FRA
42 Philipp Steinbach	Sbach 300	D-ESXA	-	GER
43 Mikhail Mamistov	Sukhoi 26M3	RF-00631	5	RUS
44 Robert Holland	MXS	N540JH	1	USA
45 Goody Thomas	Extra 330SC	N37KG	-	USA
46 Alexandre Leboulanger	CAP 232	F-GRPA	-	FRA
47 Mikael Brageot	Sbach 300	D-EMKF	4	FRA
48 Oleg Shpolyanskiy	Sukhoi 26M3	RF-00665	3	RUS
49 Castor Fantoba	H/c Sukhoi 26	EC-HPD	-	IND
50 Svetlana Kapanina	Sukhoi 26M3	RF-01059	9	RUS
51 Olivier Masurel	CAP 232	F-HERA	7	FRA
Pilots not included on the Flying Order list:				
Jorge Macias Alonso	Staudacher S300	N540SE	-	ESP
Ramon Alonso Pardo	Sukhoi 31	EC-HGL	-	ESP
Eriv Vazeille	Sbach 300	G-IIRI	6	GBR



Aerobatic Contest Results Organiser, Version 3.0 Build 25-08-11
This report created at 13:17 on 02 September 2011

P. Costa 17/09



WAC

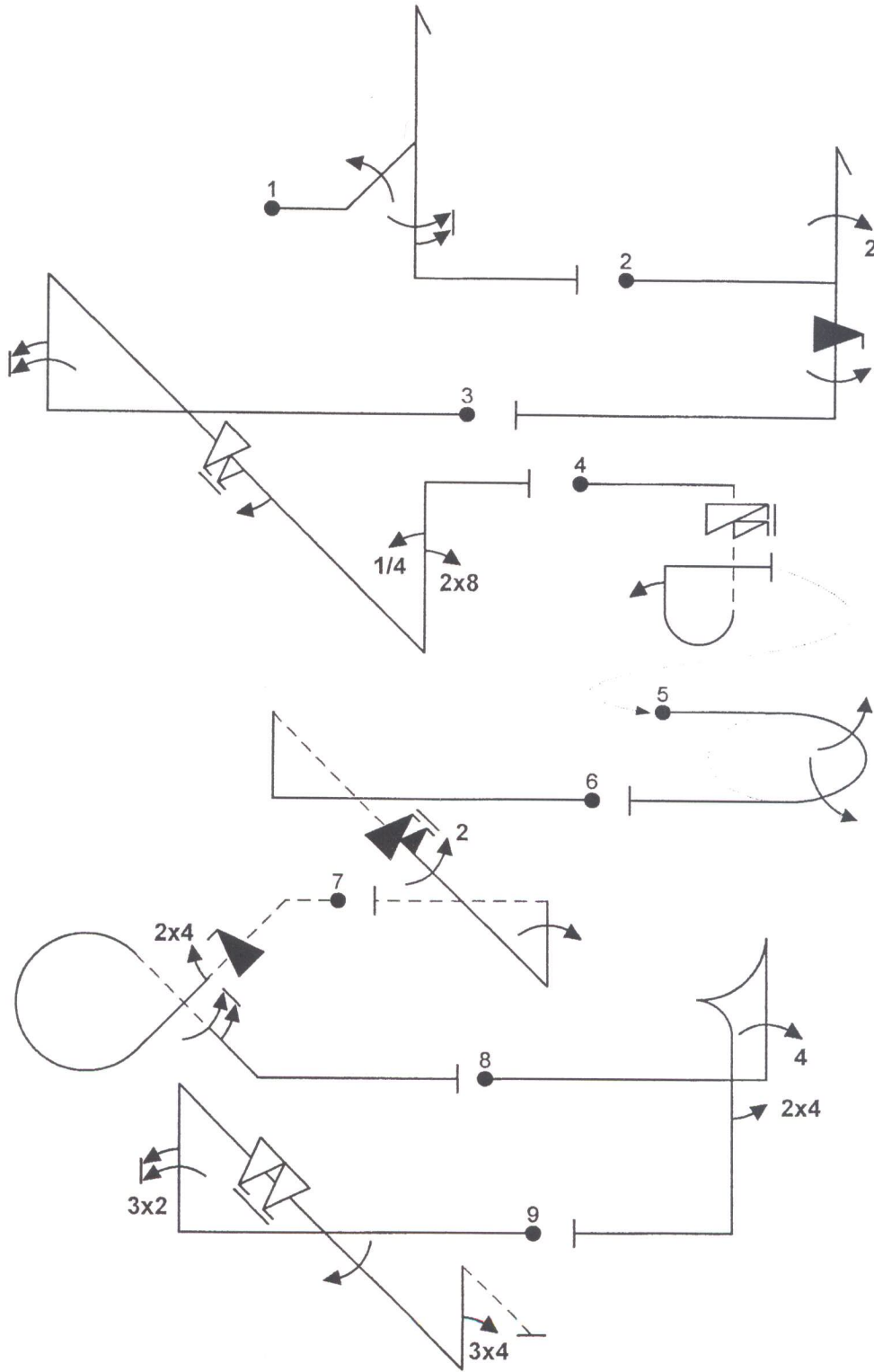
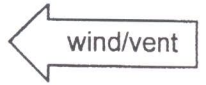
2011

FORM B

Pilot ID #

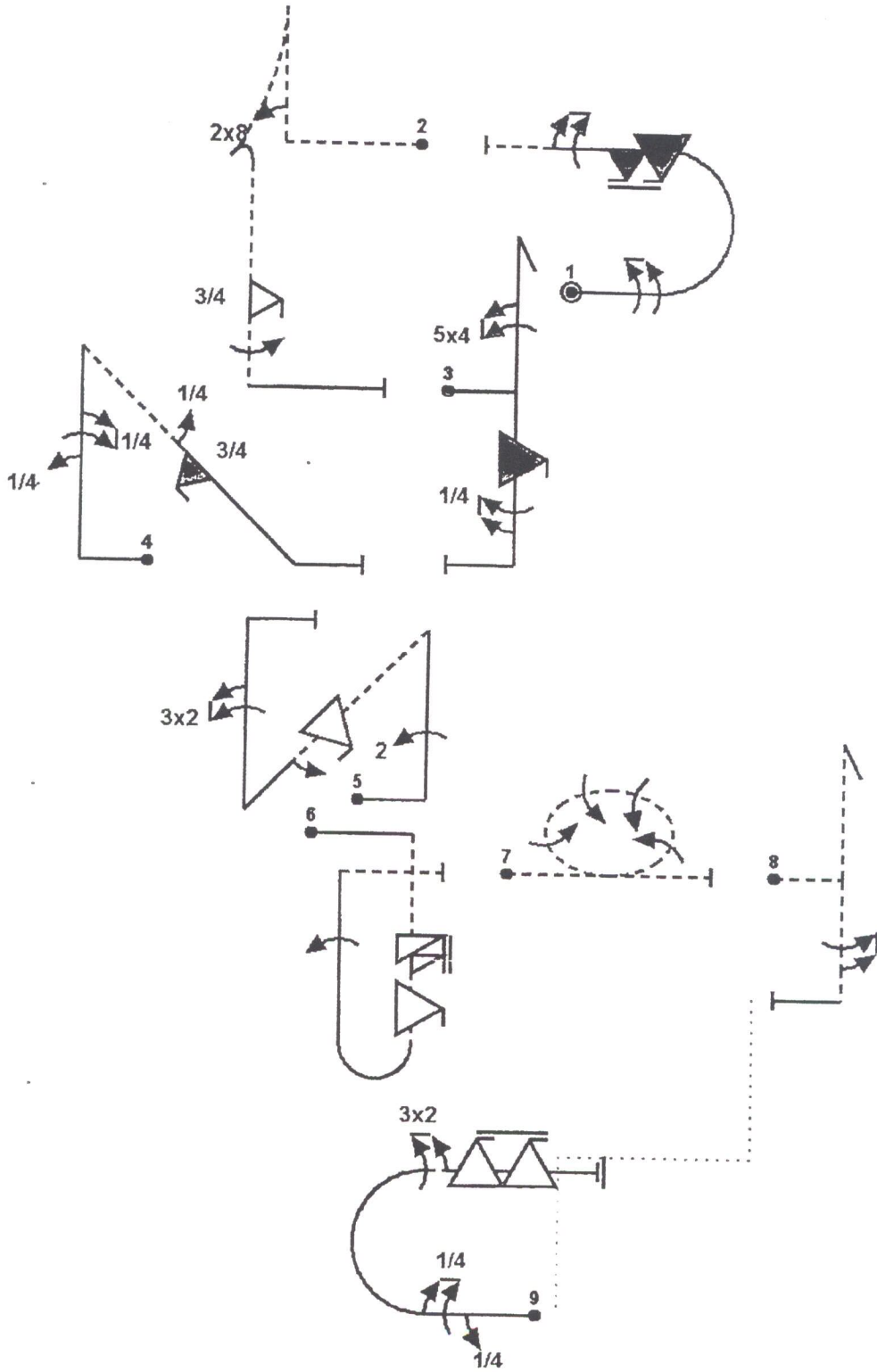
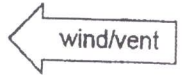
Unlimited Free

Flight #





FORM B	
Pilot ID #	Free Unlimited
Flight #	



No	Catalog No	K	Tot K
1	7.1.1	6	47
	9.1.3.8	12	
	9.10.8.6	19	
	9.1.3.6	10	
2	8.2.4	17	43
	9.8.1.1	7	
	9.9.5.3	11	
	9.1.5.4	8	
3	5.1.1	17	57
	9.4.1.5	18	
	9.10.5.4	13	
	9.1.5.5	9	
4	1.18.1	13	48
	9.1.1.1	6	
	9.1.1.5	14	
	9.1.4.1	2	
	9.10.4.3	13	
5	1.39.1	21	68
	9.2.1.4	13	
	9.9.9.4	13	
	9.1.4.2	4	
	9.2.1.6	17	
6	8.4.3	14	40
	9.11.1.6	3	
	9.9.5.4	11	
	9.1.1.4	12	
7	2.10.2	39	sf 2
8	5.1.4	22	32
	9.1.5.6	10	
9	7.2.1	6	48
	9.1.3.1	2	
	9.1.3.5	9	
	9.2.3.6	12	
	9.9.3.8	17	

—Total K= 420 —

Total K = 420 (32k@8,68k@5)

Sequence [civa unlimited free] Verified OK: 9 Figures, 420K (max)

9m6if,6-8ita3f;1 54hif,5 4,5k4,3if 22n(f;2)32 6s;fib1- -4j4- -h6 4,5m32;9f

Martin Blumberg
PILOT
AJC



world Aerobatic Championships

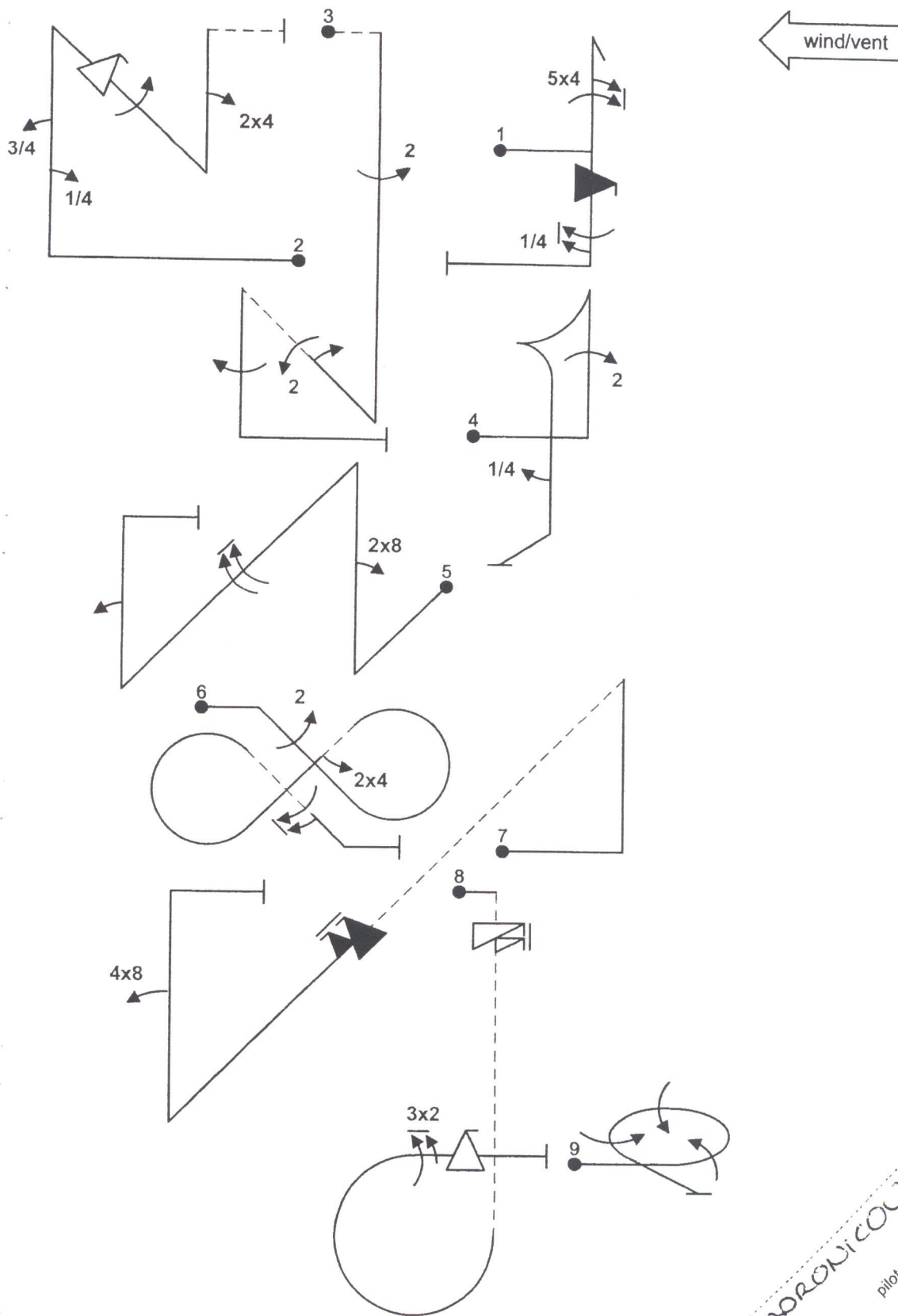
2011

FORM B

Pilot ID #

Unlimited Free

Flight #



PAUL ANDRONICOU
Extra 300S
pilot
A/C



Pilot ID #

Unlimited Free

Flight #

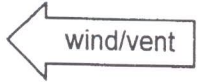
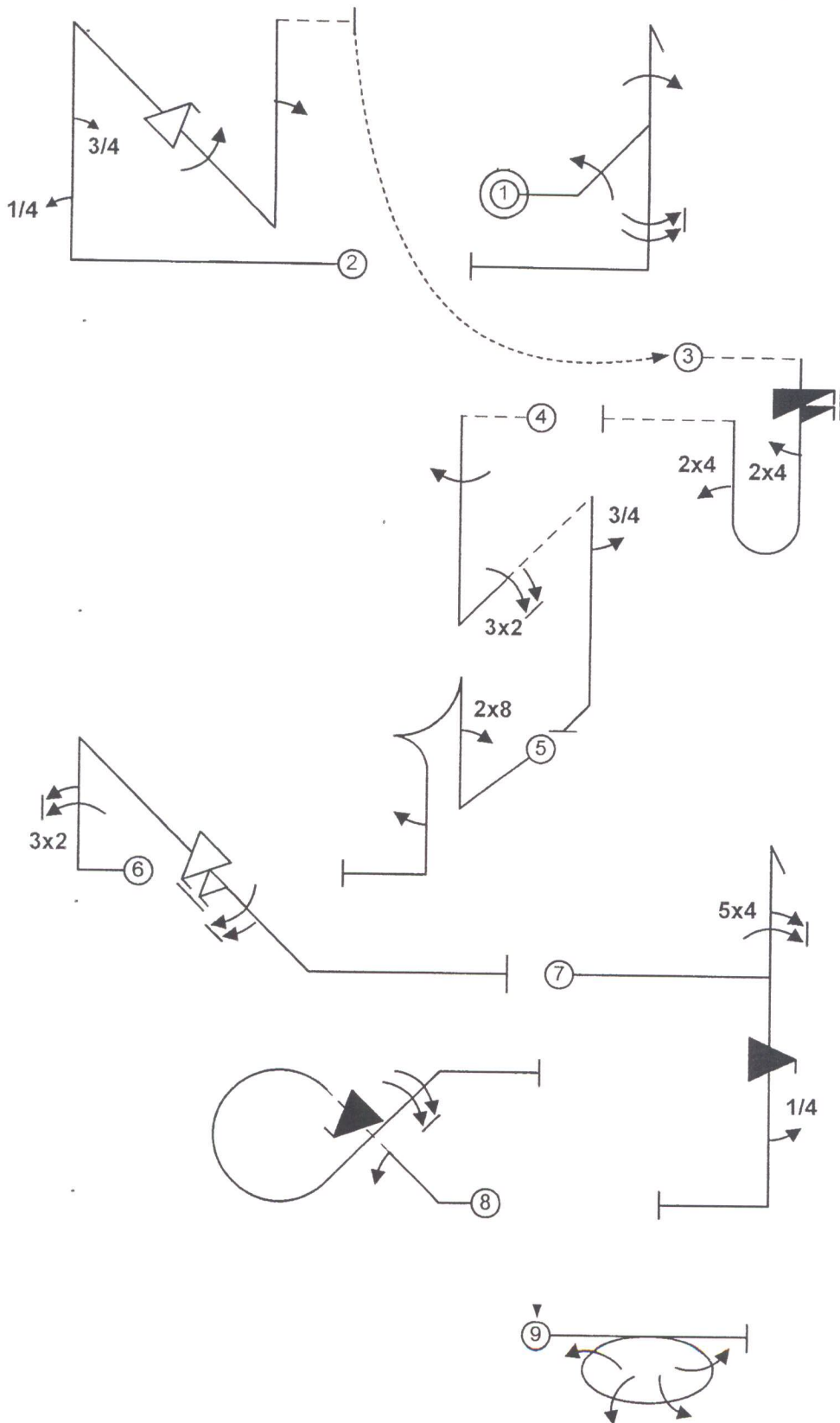


Fig 1	5.2.1	18	52
	9.1.5.8	12	
	9.1.1.4	12	
	9.1.2.4	10	
Fig 2	1.41.1	22	65
	9.1.1.1	6	
	9.1.1.3	10	
	9.9.4.4	11	
	9.1.4.4	8	
	9.1.1.2	8	
Fig 3	8.1.4	13	32
	9.12.1.6	5	
	9.4.1.2	9	
	9.4.5.2	5	
Fig 4	1.38.4	20	48
	9.1.5.3	6	
	9.1.5.4	8	
	9.2.2.6	14	
Fig 5	6.1.1	15	26
	9.8.1.1	7	
	9.1.5.2	4	
Fig 6	1.17.1	14	55
	9.9.4.6	14	
	9.1.4.6	10	
	9.2.1.6	17	
Fig 7	5.1.1	17	50
	9.10.5.4	13	
	9.1.5.1	2	
	9.4.1.5	18	
Fig 8	7.20.1	14	50
	9.10.2.4	15	
	9.1.2.8	15	
	9.1.2.2	6	
Fig 9	2.10.3	42	42
Total K = 420			

Unlimited Free

Flight #

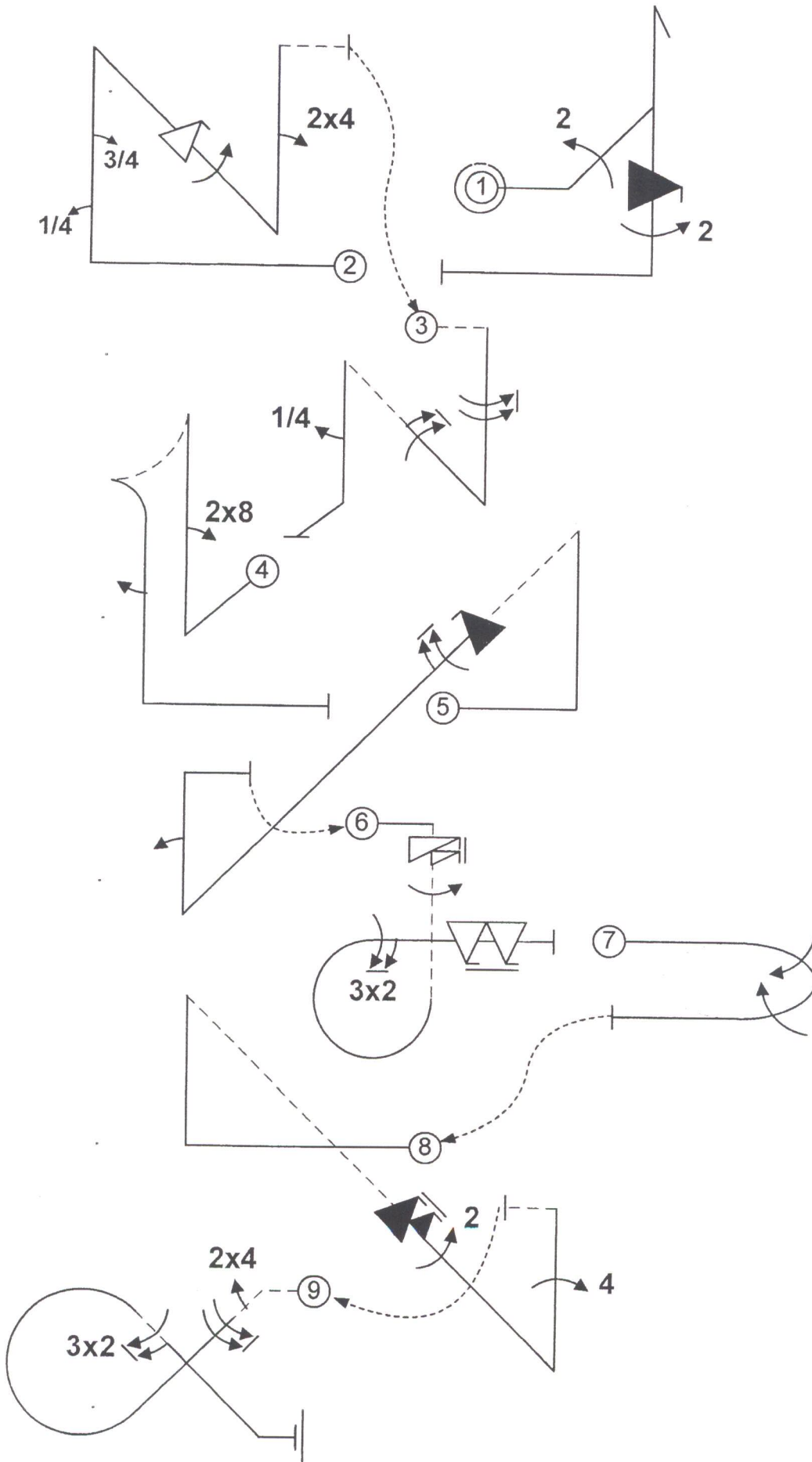
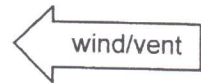


Fig 1	5.2.1	18	51
	9.2.2.4	11	
	9.10.5.4	13	
	9.2.5.4	9	
Fig 2	1.41.1	22	66
	9.1.1.1	6	
	9.1.1.3	10	
	9.9.4.4	11	
	9.1.4.4	8	
Fig 3	1.38.4	20	46
	9.1.2.6	12	
	9.1.5.8	12	
	9.1.5.1	2	
Fig 4	6.2.1	15	26
	9.8.1.1	7	
	9.1.5.2	4	
Fig 5	1.39.1	21	52
	9.1.1.2	8	
	9.10.4.4	13	
	9.1.4.6	10	
Fig 6	8.40.3	13	53
	9.11.1.6	3	
	9.1.5.4	8	
	9.2.3.6	12	
	9.9.3.8	17	
Fig 7	2.6.1	22	22
Fig 8	1.38.1	20	60
	9.4.1.4	15	
	9.10.4.6	16	
	9.2.4.4	9	
Fig 9	7.22.4	15	44
	9.1.4.8	12	
	9.2.4.6	12	
	9.4.4.2	12	
		5	
Total K = 420			

Pilot ID #

Unlimited Free

Flight #

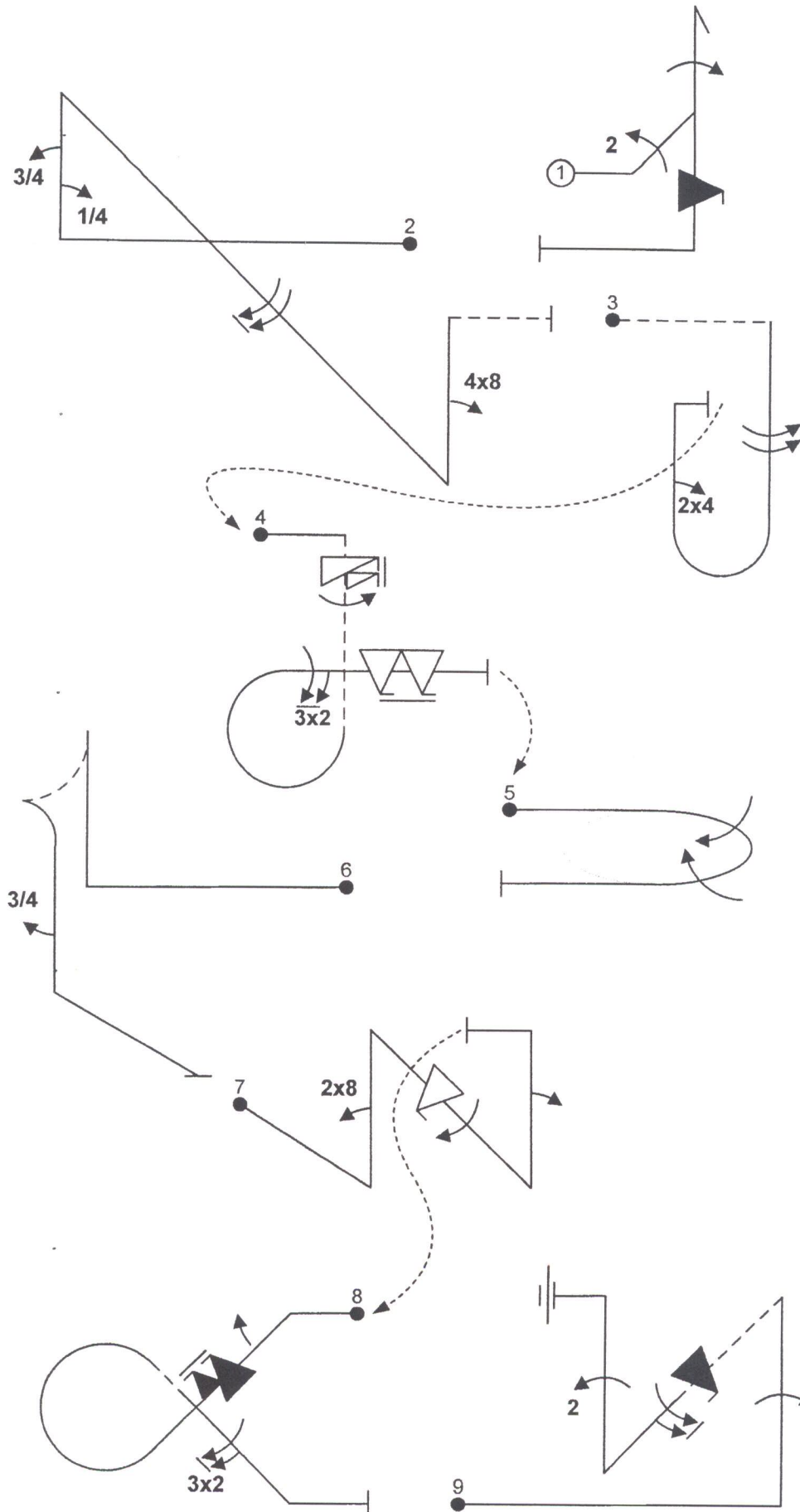
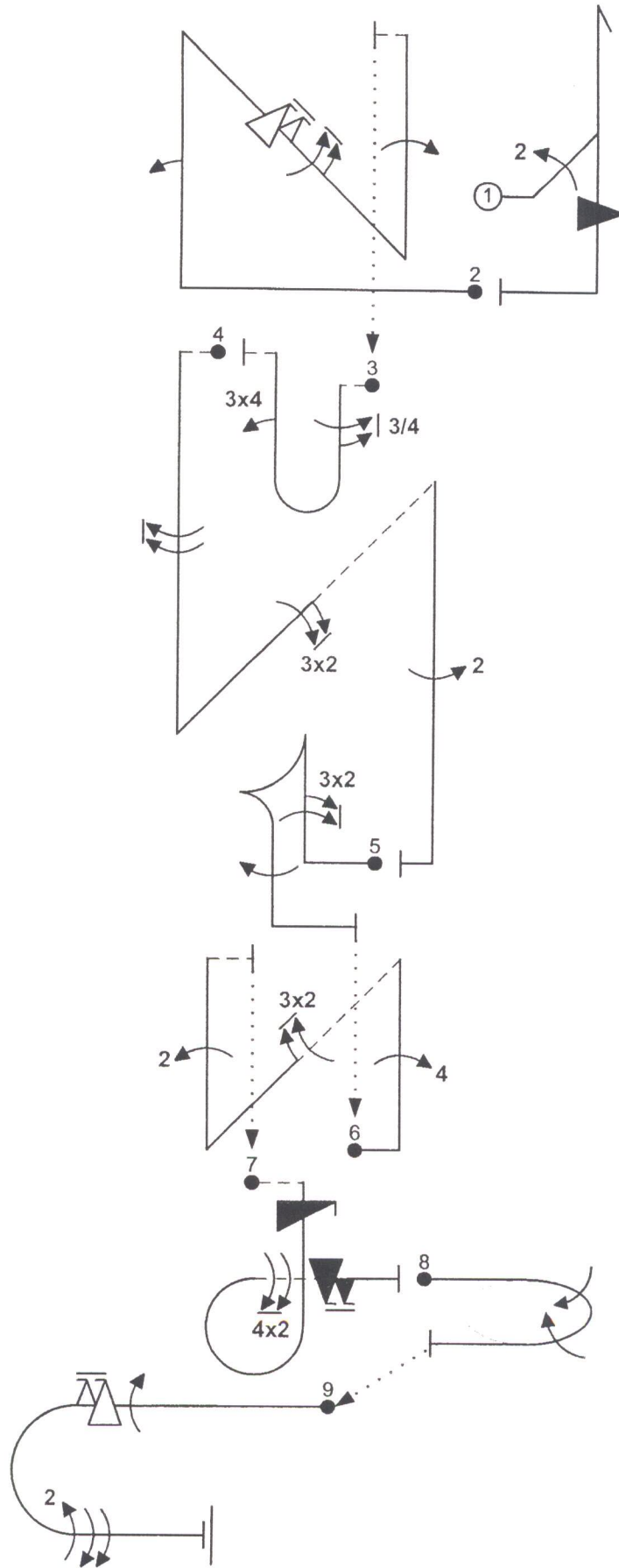


Fig 1	5.2.1	18	54
	9.2.2.4	11	
	9.1.1.4	12	
	9.10.5.4	13	
Fig 2	1.41.1	22	61
	9.1.1.1	6	
	9.1.4.8	12	
	9.8.1.2	11	
	9.1.1.3	10	
Fig 3	8.2.4	14	35
	9.1.5.8	12	
	9.4.1.2	9	
Fig 4	8.40.3	13	53
	9.11.1.6	3	
	9.1.5.4	8	
	9.2.3.6	12	
	9.9.3.8	17	
Fig 5	2.6.1	22	22
Fig 6	6.2.1	15	21
	9.1.5.3	6	
Fig 7	1.40.1	22	56
	9.8.1.1	7	
	9.9.4.4	11	
	9.1.4.4	8	
	9.1.1.2	8	
Fig 8	9.10.4.6	16	46
	9.2.4.6	12	
	7.21.3	14	
	9.1.4.2	4	
Fig 9	9.4.1.4	15	72
	1.39.1	21	
	9.10.4.4	13	
	9.1.4.6	10	
	9.2.1.4	13	
Total K = 420			

Pilot ID #

Unlimited Free

Flight #



wind/vent ←

Fig 1	5.2.1	18	42
	9.2.2.4	11	
	9.10.5.4	13	
Fig 2	1.41.1	22	66
	9.1.1.2	8	
	9.9.4.6	14	
	9.1.4.6	10	
Fig 3	8.1.4	13	36
	9.1.5.7	11	
	9.4.1.3	12	
Fig 4	1.38.4	20	55
	9.1.5.8	12	
	9.2.2.6	14	
	9.2.5.4	9	
Fig 5	6.1.1	15	40
	9.2.1.6	17	
	9.1.5.4	8	
Fig 6	1.38.1	20	60
	9.4.1.4	15	
	9.2.4.6	12	
	9.2.1.4	13	
Fig 7	8.39.4	12	50
	9.12.1.4	7	
	9.2.3.8	15	
	9.10.3.6	16	
Fig 8	2.6.1	22	22
Fig 9	7.3.3	6	49
	9.1.3.4	8	
	9.9.3.6	14	
	9.2.3.4	9	
	9.1.3.8	12	
Total K = 420			

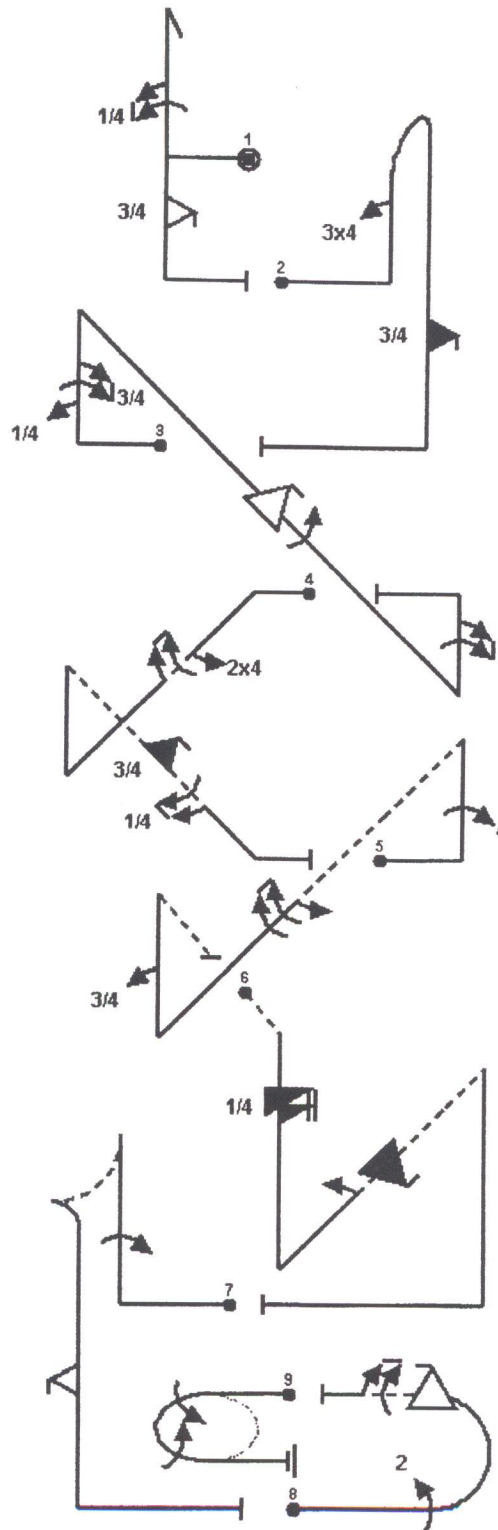
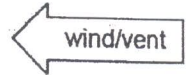


Pilot ID #

Free

Unlimited

Flight #



No	Catalog No	K	Tot K
1	5.1.1	17	42
	9.1.1.5	14	
	9.9.5.3	11	
2	8.1.1	13	40
	9.4.1.3	12	
	9.10.10.3	15	
3	1.40.1	22	79
	9.1.1.1	6	
	9.1.1.7	17	
	9.9.4.4	11	
	9.1.4.4	8	
4	9.1.1.6	15	55
	1.30.3	18	
	9.4.4.2	5	
	9.1.4.6	10	
	9.10.4.3	13	
6	9.1.4.5	9	61
	1.38.1	20	
	9.4.1.4	15	
	9.1.4.2	4	
	9.1.4.8	12	
6	9.1.1.3	10	47
	1.38.4	20	
	9.12.1.5	6	
	9.1.2.2	6	
7	9.10.2.4	15	38
	6.2.1	15	
	9.1.1.4	12	
8	9.9.5.2	11	36
	7.2.1	6	
	9.2.3.4	9	
	9.9.3.4	11	
9	9.1.3.6	10	22
	2.6.1	22	

—Total K = 420—

Total K = 420 (22k@9,79k@3)

Sequence [civa unlimited free] Verified OK: 9 Figures, 420K (max)

ed 5h3f 34b3if 4,7pn(f;1)6 24,6iw3if,5>^ 44n(2,9)3-/ -5isin(2,if) 1ita2f 22mf;6 2

Kathel BOULANGER pilot
SBACH300 A/C



WAC 2011 - FOLIGNO

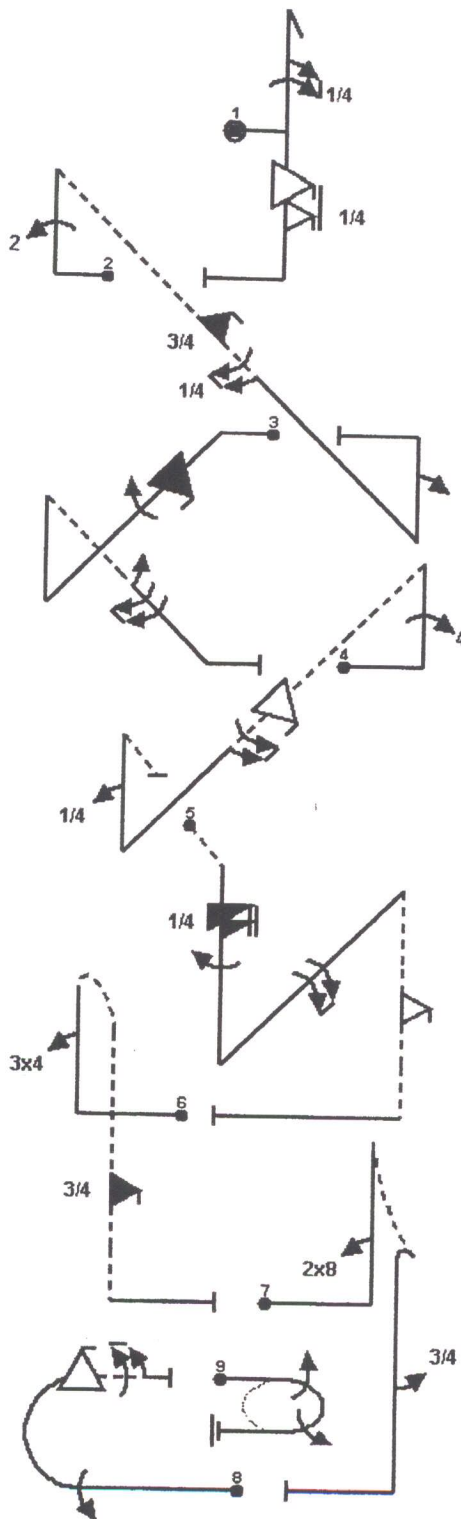
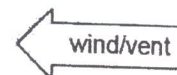
FORM B

Pilot ID #

Free

Unlimited

Flight #



No	Catalog No	K	Tot K
1	5.1.1	17	44
	9.1.1.5	14	
	9.9.5.5	13	
2	1.39.1	21	64
	9.2.1.4	13	
	9.10.4.3	13	
	9.1.4.5	9	
	9.1.1.2	8	
3	1.30.3	18	57
	9.10.9.4	16	
	9.1.4.4	8	
	9.1.4.2	4	
	9.1.4.8	12	
4	1.38.1	20	64
	9.4.1.4	15	
	9.9.9.4	13	
	9.1.4.6	10	
	9.1.1.1	6	
5	1.37.4	22	64
	9.12.1.5	6	
	9.1.5.4	8	
	9.1.2.8	15	
	9.9.10.2	13	
6	8.3.1	15	40
	9.4.1.3	12	
	9.10.5.3	13	
7	6.2.1	15	28
	9.8.1.1	7	
	9.1.5.3	6	
8	7.2.1	6	35
	9.1.3.4	8	
	9.9.3.4	11	
	9.1.3.6	10	
9	2.6.3	24	sf 2

—Total K= 420 —

Total K = 420 (24k@9,64k@2)

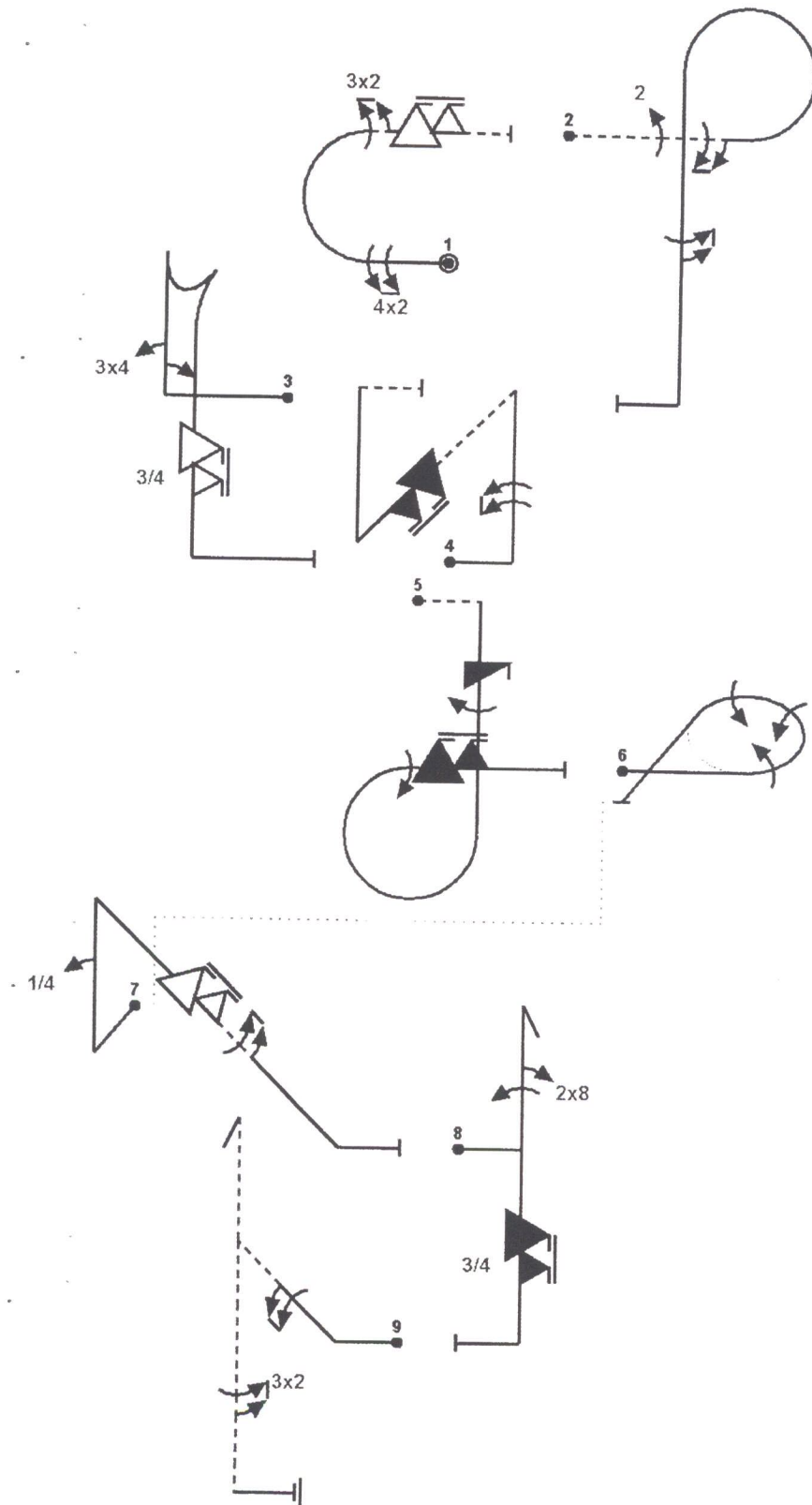
Sequence [civa unlimited free] Verified OK: 9 Figures, 420K (max)

5h5f 22n(3if,5)2 if,1iw2,9 44n(f;6)4->/ -5is,1in(9)2f 34pb3if 8ita3 1mf;6 2jo2

Mikael BRAGEOT pilot
SBACH300 A/C

Pilot ID #		FORM B	
Free	Unlimited	Flight #	

← wind/vent



No	Catalog No	K	Tot K
1	7.1.1	6	47
	9.2.3.8	15	
	9.2.3.6	12	
	9.9.3.6	14	
2	8.51.2	12	41
	9.2.3.4	9	
	9.1.3.6	10	
	9.1.5.6	10	
3	6.1.1	15	51
	9.1.1.2	8	
	9.4.1.3	12	
	9.9.5.7	16	
4	1.38.1	20	54
	9.1.1.8	18	
	9.10.4.6	16	
5	8.39.4	12	51
	9.12.1.4	7	
	9.1.5.4	8	
	9.1.3.4	8	
	9.10.3.6	16	
6	2.8.1	30	30
7	1.17.1	14	44
	9.1.1.1	6	
	9.9.4.6	14	
	9.1.4.6	10	
8	5.1.1	17	54
	9.1.1.4	12	
	9.8.1.1	7	
	9.10.5.7	18	
9	5.3.1	24	48
	9.1.2.6	12	
	9.2.5.6	12	

---Total K = 420---

Total K = 420 (30k@6,54k@4)

Sequence [civa unlimited free] Verified OK: 9 Figures, 420K (max)
 ed 42m32;6f- -22,6p6,2,34ta7f> 9n(6if)- -is,1irp1,6if>^ 3j3 4k6f;6> 1,8h7if 6dh3

Cassells pilot
A/C

Pilot ID #

Unlimited Free

Flight #

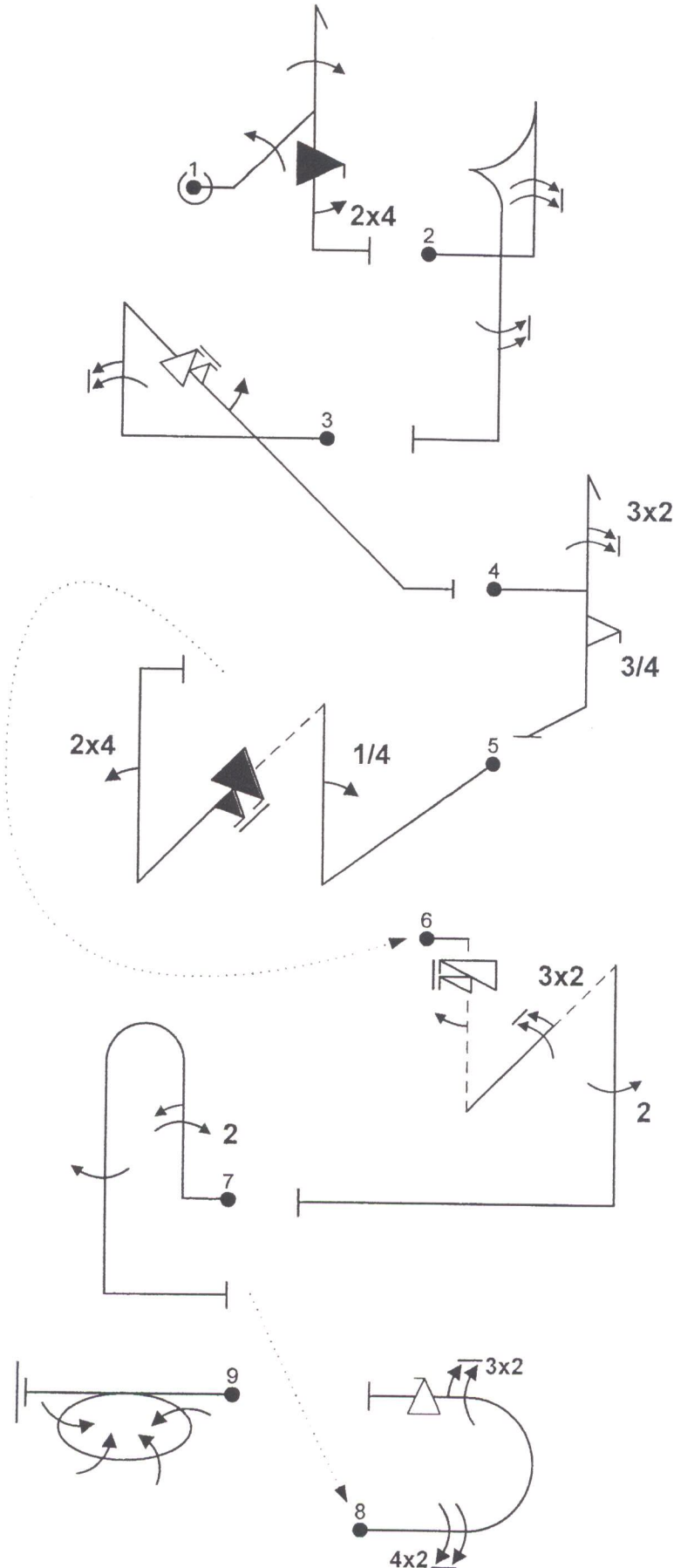
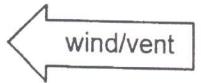
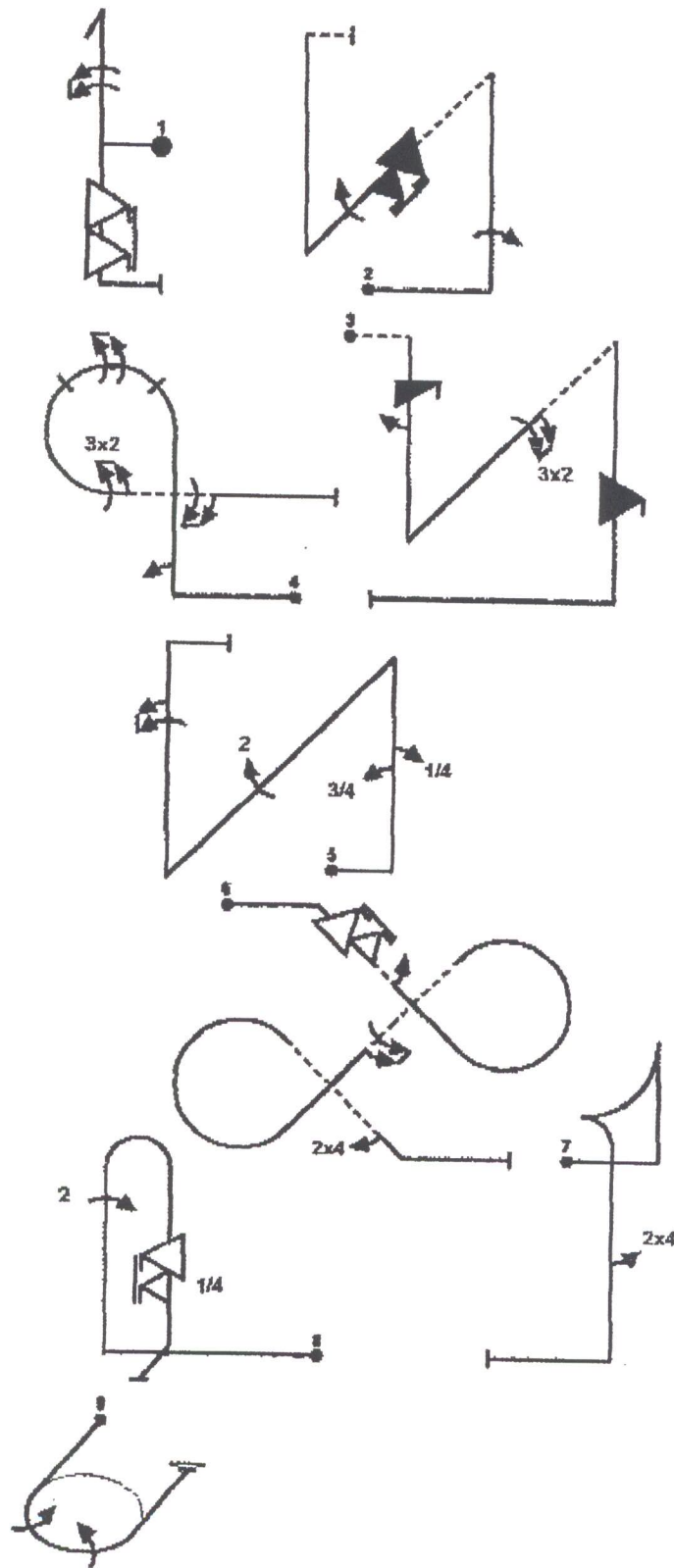


Fig 1	5.2.1	18	58
	9.1.1.4	12	
	9.1.2.4	10	
	9.10.5.4	13	
	9.4.5.2	5	
Fig 2	6.1.1	15	43
	9.1.1.8	18	
	9.1.5.6	10	
Fig 3	1.17.1	14	47
	9.1.1.6	15	
	9.9.4.6	14	
	9.1.4.2	4	
Fig 4	5.1.1	17	45
	9.2.1.6	17	
	9.9.5.3	11	
Fig 5	1.39.1	21	52
	9.1.1.1	6	
	9.10.4.6	16	
	9.4.1.2	9	
Fig 6	1.43.3	21	51
	9.11.1.6	3	
	9.1.5.2	4	
	9.2.2.6	14	
	9.2.5.4	9	
Fig 7	8.1.1	13	42
	9.2.1.4	13	
	9.1.1.2	8	
	9.1.5.4	8	
Fig 8	7.2.1	6	44
	9.9.3.4	11	
	9.2.3.8	15	
	9.2.3.6	12	
Fig 9	2.10.1	38	38
Total K = 420			

Pilot ID #

Flight #



No	Catalog No	K	Tot K
1	5.1.1	17	62
	9.1.1.8	16	
	9.9.5.8	17	
2	1.38.1	20	66
	9.1.1.4	12	
	9.10.4.6	16	
	9.1.4.4	6	
3	1.38.4	20	60
	9.12.1.4	7	
	9.1.6.2	4	
	9.2.2.6	14	
	9.10.10.4	15	
4	8.33.1	11	53
	9.1.1.2	6	
	9.1.3.8	12	
	9.2.3.6	12	
	9.1.3.6	10	
5	1.40.1	22	62
	9.1.1.3	10	
	9.1.1.1	6	
	9.2.4.4	9	
	9.1.1.6	15	
6	7.37.3	23	56
	9.9.4.6	14	
	9.1.4.2	4	
	9.1.4.8	10	
	9.4.4.2	5	
7	6.1.1	16	20
	9.4.6.2	5	
8	8.1.1	13	39
	9.2.1.4	13	
	9.4.6.6	13	
9	2.6.1	22	af 2

--Total K= 420 --

Total K = 420 (20k@7,62k@5)

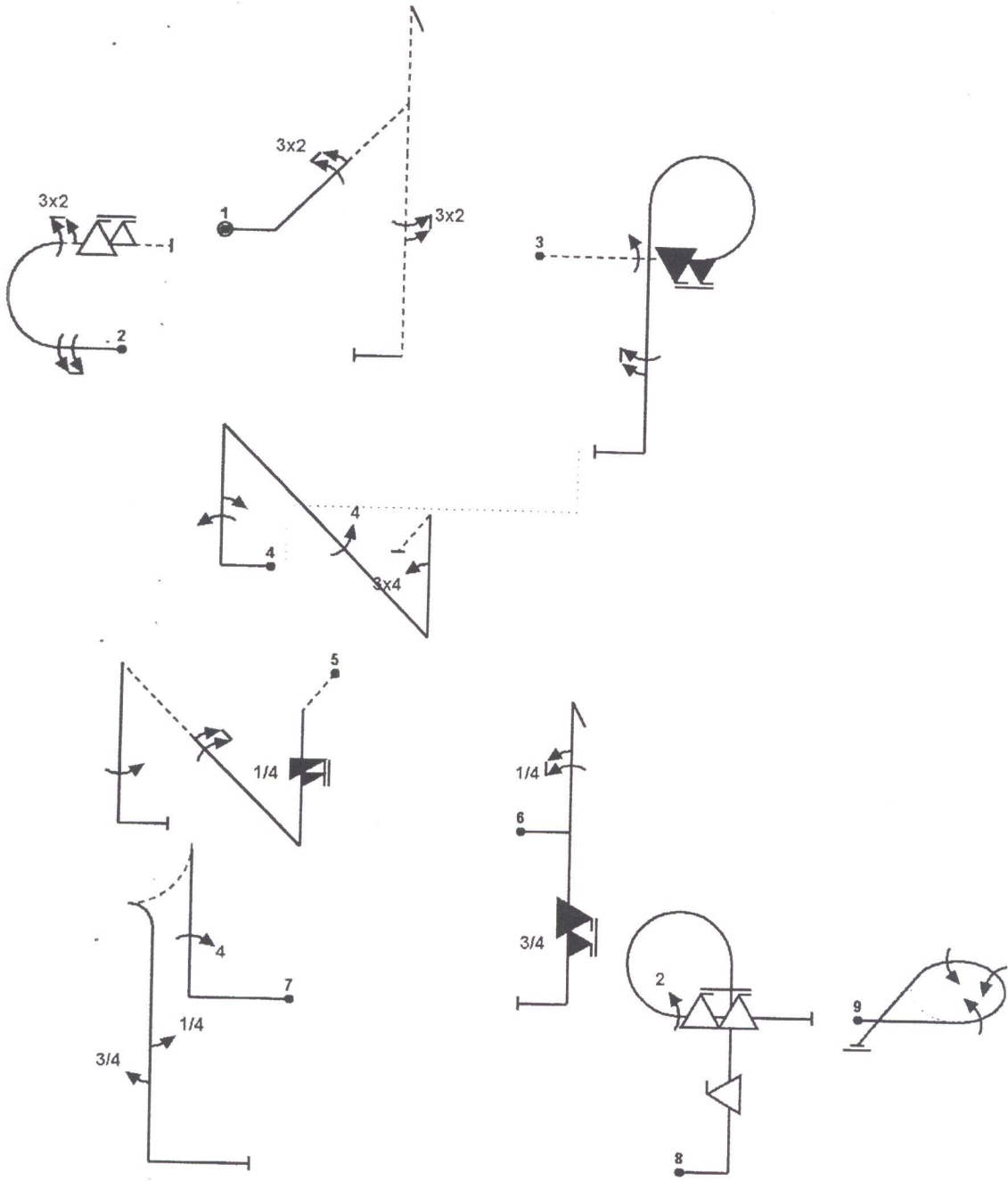
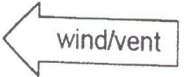
Elisario G.F.
Italia
 Pilot
 A/C

Sequence [Assumed civa unlimited free] Verified OK: 9 Figures, 420K (max)

ed 9h9f,1n(6if,1)- -is,2in(32)if 2rp(9)32,6 3,4pn(22)6 6f,2igg(6)24 ta24 22b5f 2;



Pilot ID #		FORM B	
Free	Unlimited	Flight #	



Total K = 420 (30k@9,65k@4)

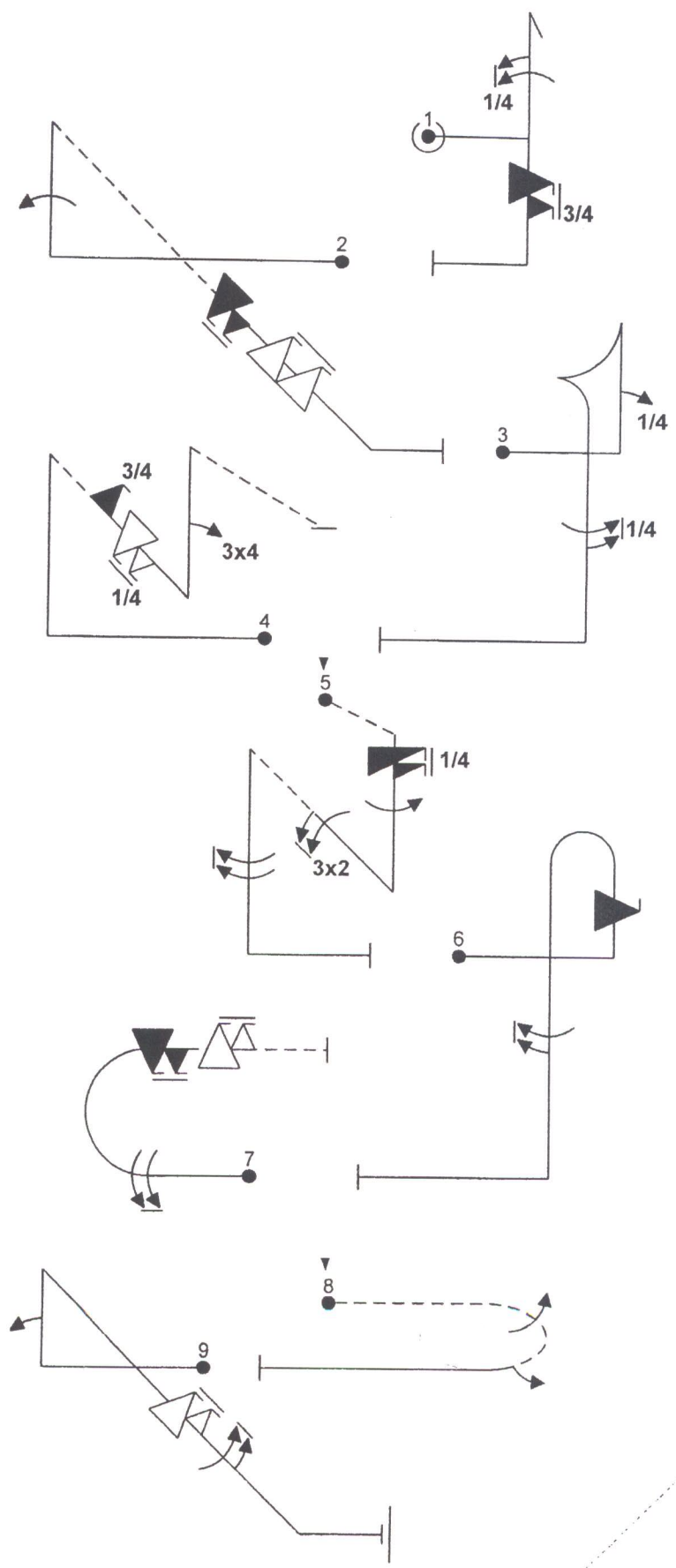
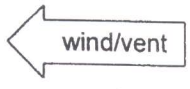
GERALD COOPER
 pilot
 A/C

Olan v6.0 © M Golan http://www.aerobatics.org.il/olan

Sequence [civa unlimited free] Verified OK: 9 Figures, 420K (max)
 32dh329m32;6f-1,6ifp6 1,2pn(44)34- -5isin(6)1^5h7if,44ita4,3frp22;9f 3j3
 C:\Users\Acer\AppData\Local\Temp\GBRGeraldFree.seq.txt



26th WAC - Foligno		2011	FORM B
Pilot ID #	Unlimited Free		Flight #



Created Using Aresti 2011™ software. ACCasady@aol.com

Jerome Cusin
Extra 330 SC
pilot
A/C

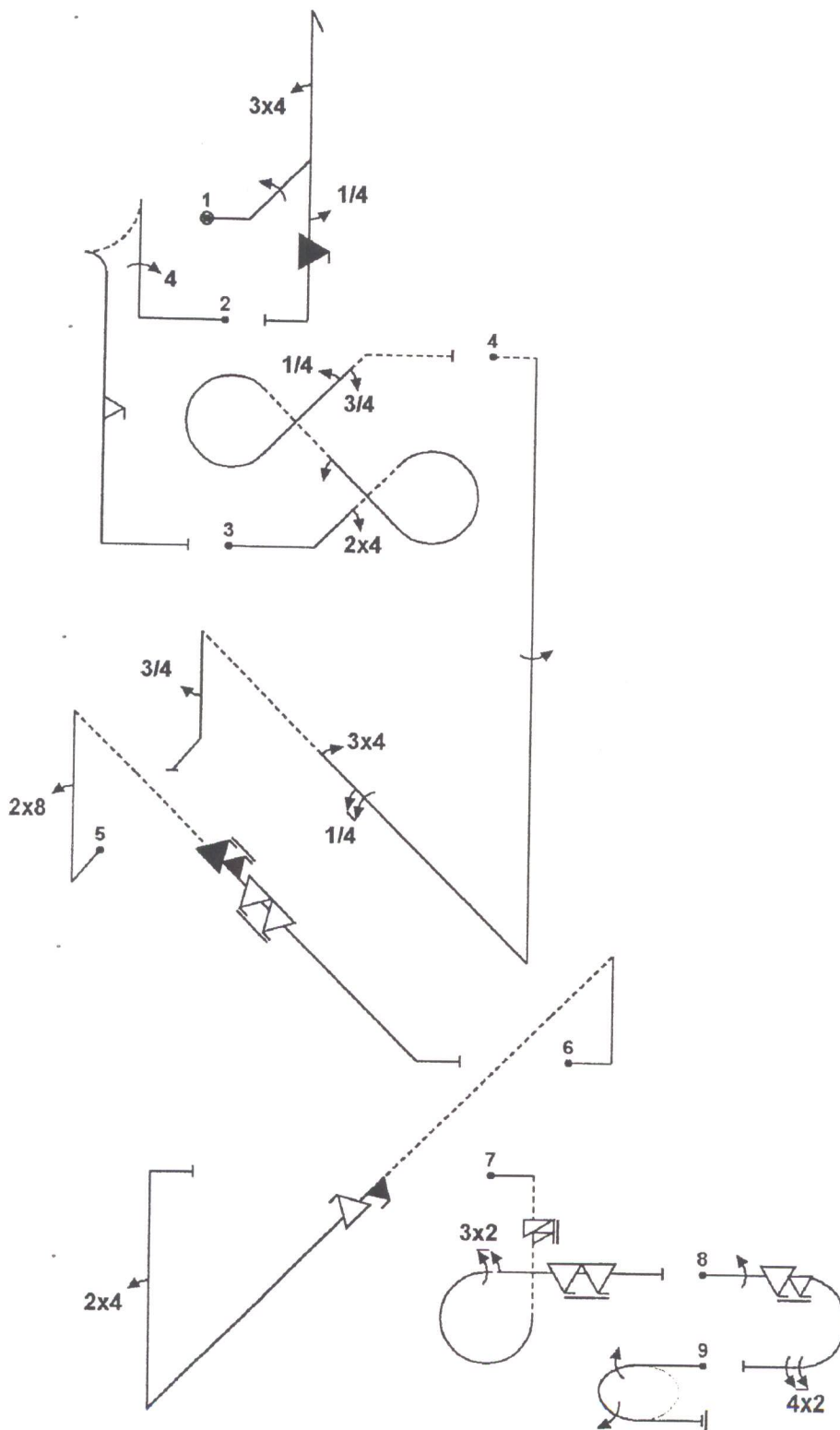
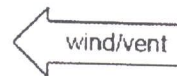


Pilot ID #

Free

Unlimited

Flight #



No	Catalog No	K	Tot K
1	5.2.1	18	55
	9.1.2.4	10	
	9.4.1.3	12	
	9.1.5.1	2	
	9.10.5.4	13	
2	6.2.1	15	41
	9.4.1.4	15	
	9.9.5.2	11	
3	7.38.1	25	50
	9.4.2.2	7	
	9.1.2.2	6	
	9.1.2.1	4	
	9.1.2.3	8	
4	1.38.4	20	55
	9.1.5.4	8	
	9.1.2.5	11	
	9.4.2.3	10	
	9.1.5.3	6	
5	1.18.1	13	53
	9.8.1.1	7	
	9.10.4.6	16	
	9.9.4.8	17	
6	1.39.1	21	54
	9.10.4.2	13	
	9.9.4.4	11	
	9.4.1.2	9	
7	8.40.3	13	45
	9.11.1.6	3	
	9.2.3.6	12	
	9.9.3.8	17	
8	7.3.3	6	43
	9.1.3.4	8	
	9.9.3.6	14	
	9.2.3.8	15	
9	2.6.3	24	sf 2

—Total K= 420 —

Total K = 420 (24k@9,55k@1)

Olan v6.0 © M.Golan <http://www.aerobatics.org/olan>

Sequence [11 civa unlimited free] Verified OK: 9 Figures, 420K (max)

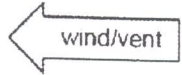
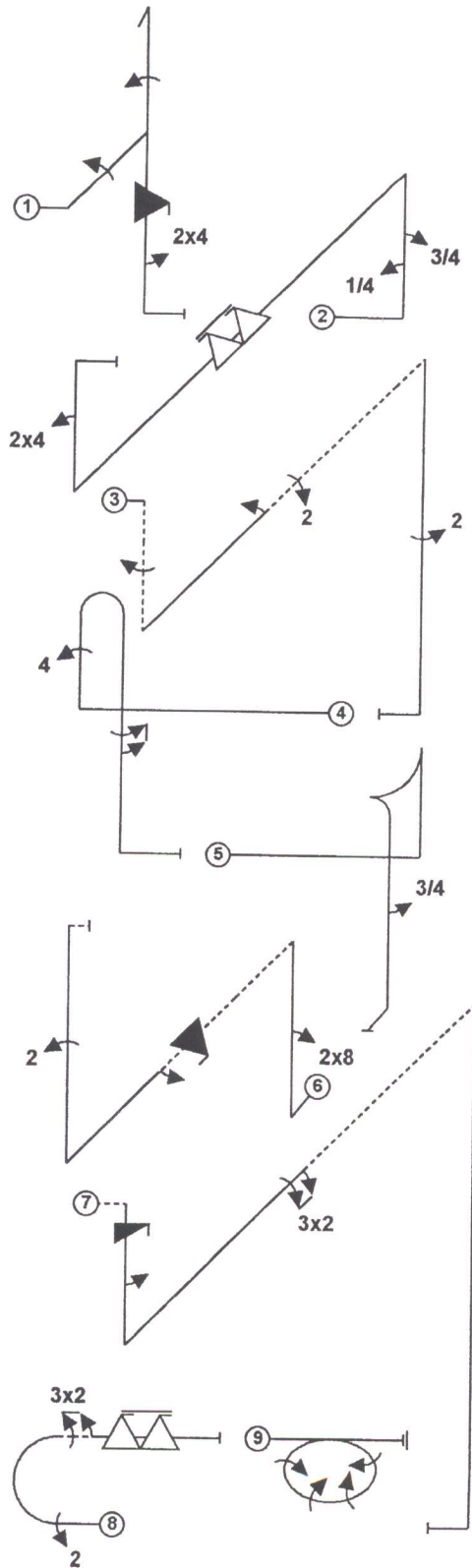
Castor Fantoba Pilot
Sukhoi Su 26 A/C

Pilot ID #

Free

Unlimited

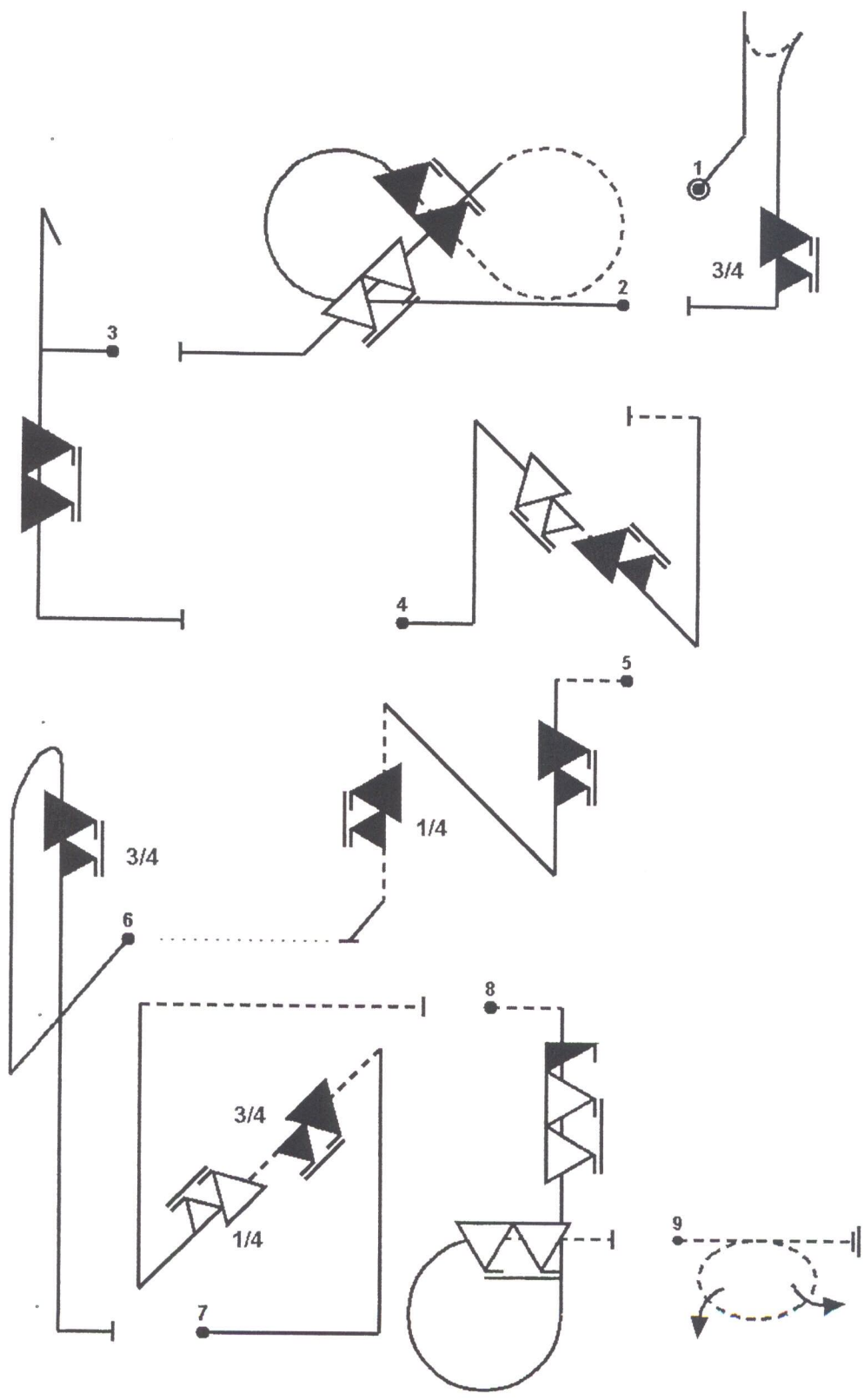
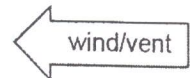
Flight #



No	Catalog No	K	Tot K
1	5.2.1	18	58
	9.1.2.4	10	
	9.1.1.4	12	
	9.10.5.4	13	
	9.4.5.2	5	
			sf 5
2	1.40.1	22	64
	9.1.1.1	6	
	9.1.1.3	10	
	9.9.4.8	17	
	9.4.1.2	9	
			sf 7
3	1.43.3	21	55
	9.1.5.4	8	
	9.1.2.2	6	
	9.2.2.4	11	
	9.2.5.4	9	
			sf 7
4	8.1.1	13	38
	9.4.1.4	15	
	9.1.5.6	10	
			sf 7
5	6.1.1	15	21
	9.1.5.3	6	
			sf 6
6	1.38.1	20	57
	9.8.1.1	7	
	9.10.4.4	13	
	9.1.4.2	4	
	9.2.1.4	13	
			sf 7
7	1.38.4	20	45
	9.12.1.4	7	
	9.1.5.2	4	
	9.2.2.6	14	
			sf 7
8	7.2.1	6	44
	9.2.3.4	9	
	9.2.3.6	12	
	9.9.3.8	17	
			sf 7
9	2.10.1	38	sf 2



Atlanta		2011	FORM B
Pilot ID #	Free	Unlimited	Flight #



Total K = 420 (33k@1,57k@2)

Olan v6.0 © M. Golan http://www.aerobatics.org.il/olan

Sequence [11 civa unlimited free] Verified OK: 9 Figures, 420K (max)
 ef ita7if> cc(9if)9f h9if pn(6f,6if)- -6ifin()5if b7if n(7if,5f)- -is;9firp9f- -4jo2-^
 C:\Documents and Settings\Utente\Desktop\Nuova cartella\mg uf11.seq

Michael Golan Pilot
 Cap-232 A/C

Pilot ID #

Unlimited Free

Flight #

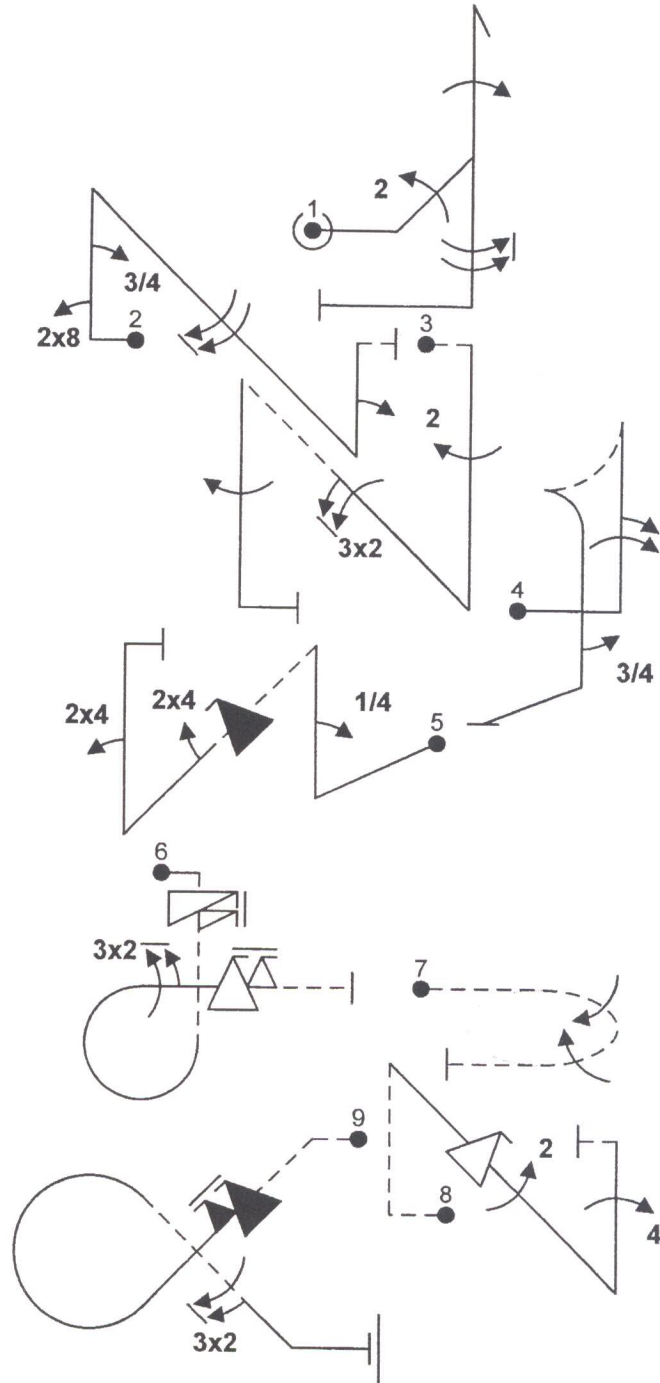
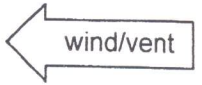
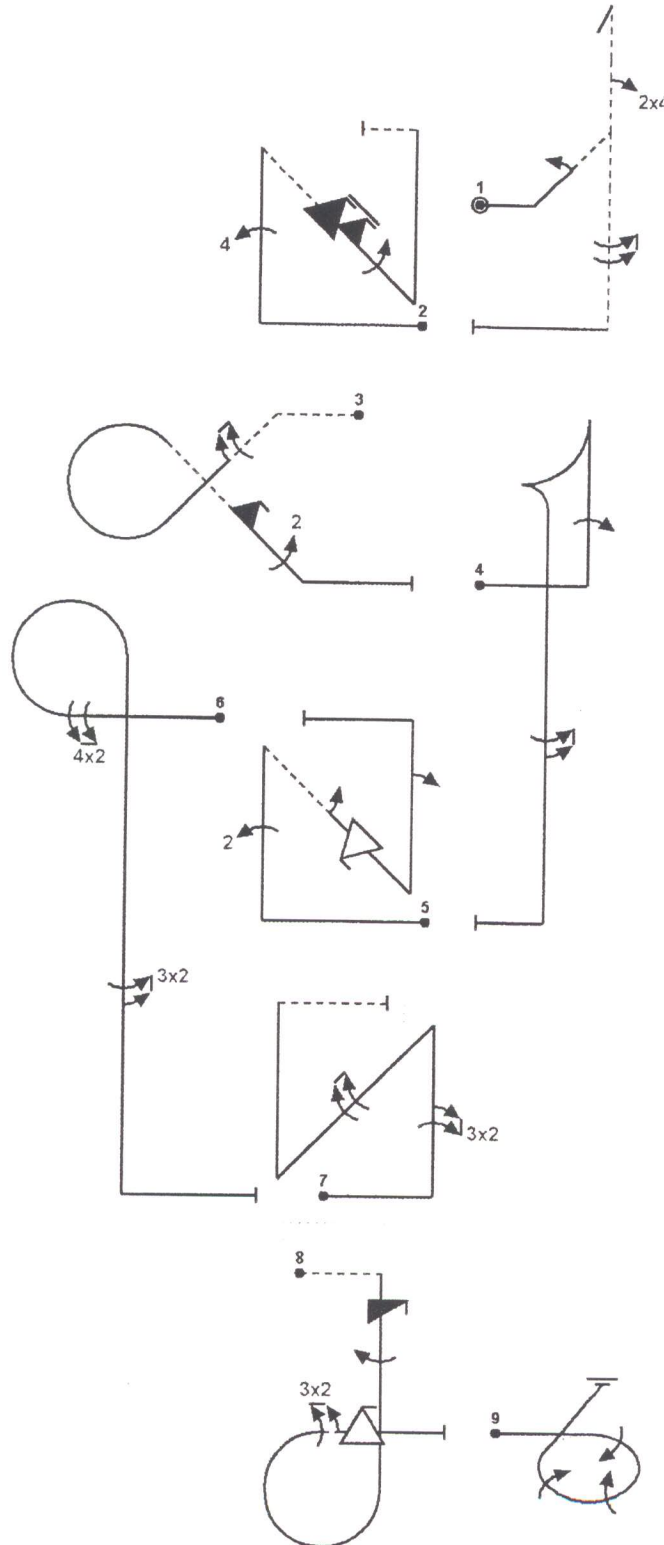
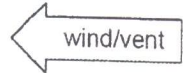


Fig 1	5.2.1	18	53
	9.1.1.4	12	
	9.2.2.4	11	
	9.1.5.8	12	
Fig 2	1.41.1	22	59
	9.1.4.8	12	
	9.1.1.2	8	
	9.8.1.1	7	
	9.1.1.3	10	
Fig 3	1.38.4	20	51
	9.2.2.6	14	
	9.2.5.4	9	
	9.1.5.4	8	
Fig 4	6.2.1	15	36
	9.1.5.3	6	
	9.1.1.6	15	
Fig 5	1.39.1	21	54
	9.1.1.1	6	
	9.10.4.4	13	
	9.4.1.2	9	
	9.4.4.2	5	
Fig 6	8.34.3	13	42
	9.11.1.6	3	
	9.2.3.6	12	
	9.9.3.6	14	
Fig 7	2.6.2	23	23
Fig 8	1.36.2	24	59
	9.9.4.4	11	
	9.4.1.4	15	
	9.2.4.4	9	
Fig 9	7.22.4	15	43
	9.10.4.6	16	
	9.2.4.6	12	
Total K = 420			



WAC		FORM B	
Pilot ID #	Free	Unlimited	Flight #



No	Catalog No	K	Tot K
1	5.3.1	24	51
	9.1.2.2	6	
	9.4.1.2	9	
	9.1.5.8	12	
2	1.38.1	20	59
	9.4.1.4	15	
	9.10.4.6	16	
	9.1.4.4	8	
3	7.22.4	15	47
	9.1.4.6	10	
	9.10.4.2	13	
	9.2.4.4	9	
4	6.1.1	15	37
	9.1.1.4	12	
	9.1.5.6	10	
5	1.39.1	21	57
	9.2.1.4	13	
	9.1.4.2	4	
	9.9.4.4	11	
	9.1.1.2	8	
6	8.43.1	11	38
	9.2.3.8	15	
	9.2.5.6	12	
7	1.41.1	22	51
	9.2.1.6	17	
	9.1.4.8	12	
8	8.39.4	12	50
	9.12.1.4	7	
	9.1.5.4	8	
	9.2.3.6	12	
	9.9.3.4	11	
9	2.8.1	30	sf 2

—Total K= 420 —

Total K = 420 (30k@9,59k@2)

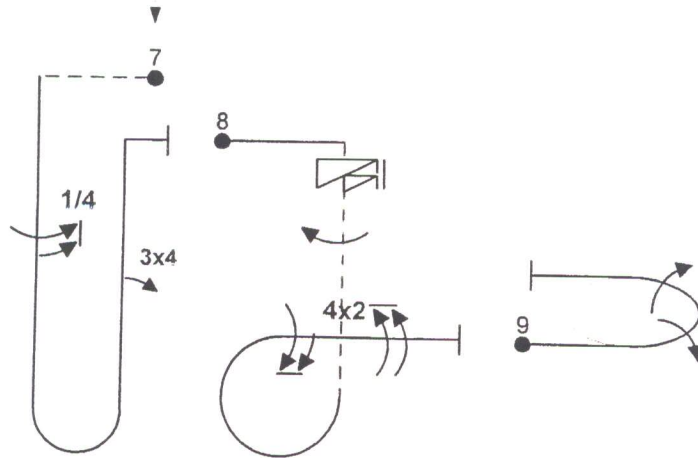
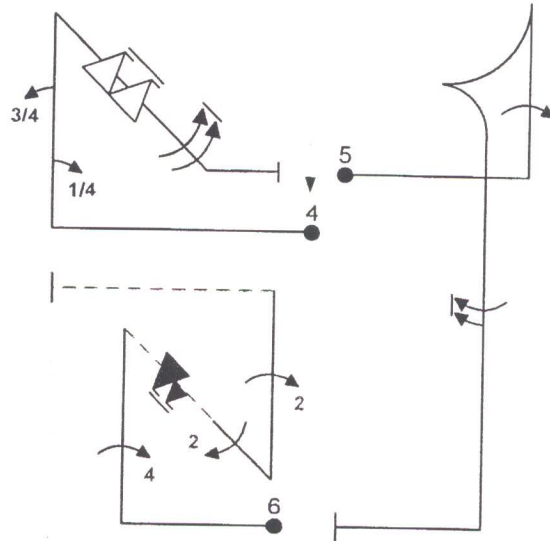
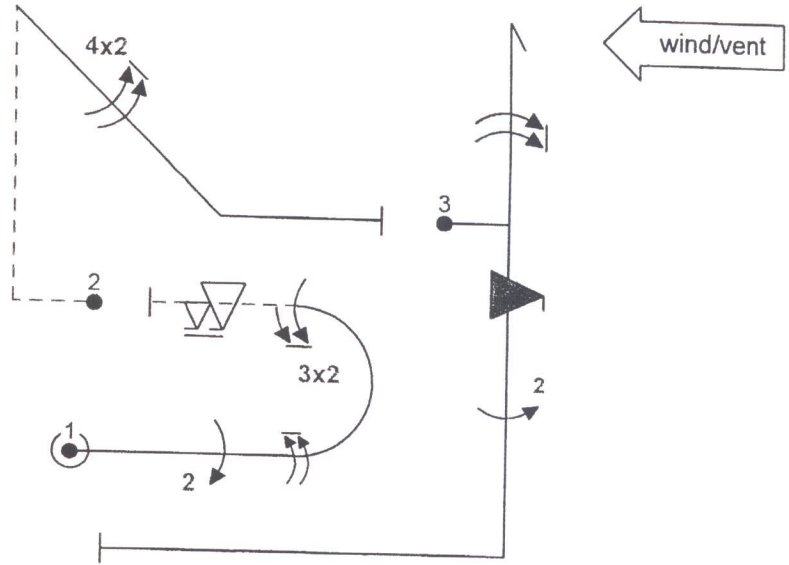
Olan v6.0 © M. Golan http://www.aerobatics.org.il/olan

- Sequence [11 civa unlimited free] Verified OK: 9 Figures, 420K (max)
2dh(24)9 44n(6if;1)- -6ig2if;22 1ta6 22n(2,f)2 42p32 32pn(9)- -is,1irp32;f 3j3^

Mark Hensman
 N540JH
 pilot
 A/C



Pilot ID #		Unlimited Free		FORM B	
				Flight #	

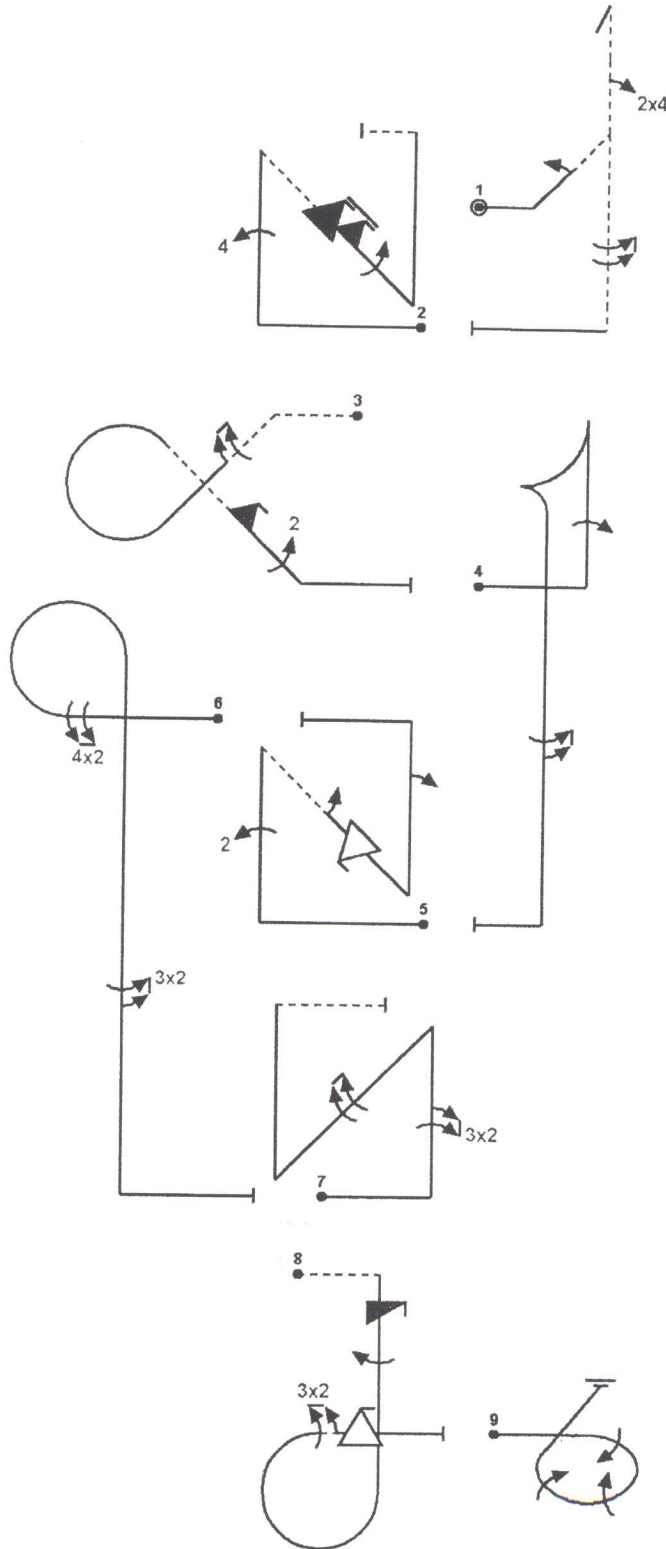
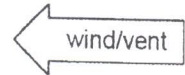


Created Using Aresli 2010™ software. ACCasidy@aol.com

Rob Holland
 MXS
 pilot
 A/C



WAC		FORM B	
Pilot ID #	Free	Unlimited	Flight #



No	Catalog No	K	Tot K
1	5.3.1	24	51
	9.1.2.2	6	
	9.4.1.2	9	
	9.1.5.8	12	
2	1.38.1	20	59
	9.4.1.4	15	
	9.10.4.6	16	
	9.1.4.4	8	
3	7.22.4	15	47
	9.1.4.6	10	
	9.10.4.2	13	
	9.2.4.4	9	
4	6.1.1	15	37
	9.1.1.4	12	
	9.1.5.6	10	
5	1.39.1	21	57
	9.2.1.4	13	
	9.1.4.2	4	
	9.9.4.4	11	
	9.1.1.2	8	
6	8.43.1	11	38
	9.2.3.8	15	
	9.2.5.6	12	
7	1.41.1	22	51
	9.2.1.6	17	
	9.1.4.8	12	
8	8.39.4	12	50
	9.12.1.4	7	
	9.1.5.4	8	
	9.2.3.6	12	
	9.9.3.4	11	
9	2.8.1	30	sf 2

---Total K= 420 ---

Total K = 420 (30k@9,59k@2)

Sequence [11 civa unlimited free] Verified OK: 9 Figures, 420K (max)

2dh(24)9 44n(6if;1)- -6ig2if;22 1ta6 22n(2,f)2 42p32 32pn(9)- -is,1irp32;f 3j3^

Nigel Hopkins pilot
N540JH A/C



WAC 2011

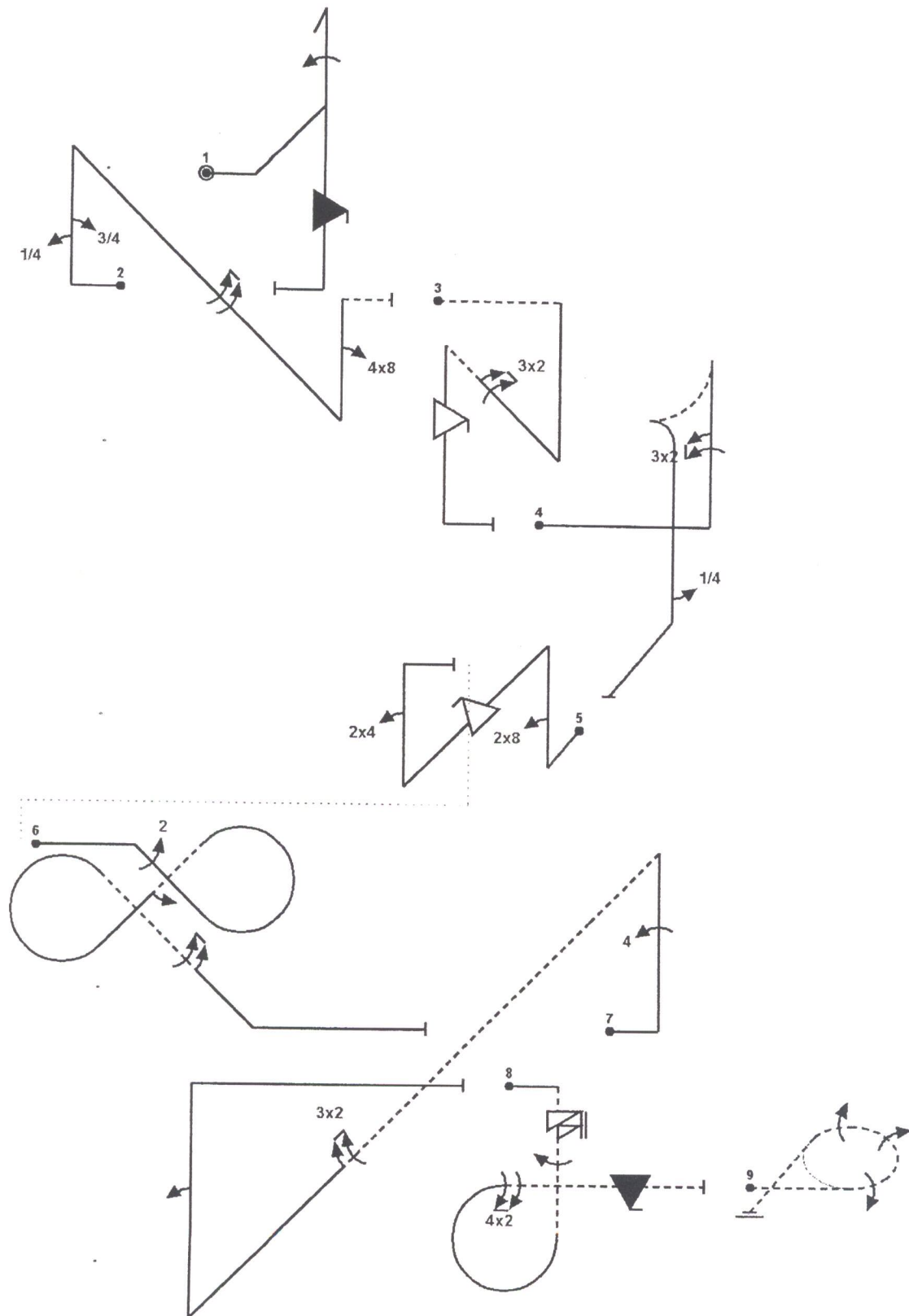
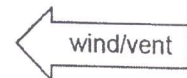
FORM B

Pilot ID #

Free

Unlimited

Flight #



Total K = 420 (34k@4,61k@2)

Cian v6.0 © M'Golán http://www.aerobatics.org.il/golan

Sequence [civa unlimited free] Verified OK: 9 Figures, 420K (max)

dh(1)if 4,3pn(9)48- -in(32)f 32ita4 8pn(f)24 22igg(2)6 44n(32)2 6s,1irp42if- -3jo

C:\Documents and Settings\Utente\Desktop\Nuova cartella\Hyka Marek

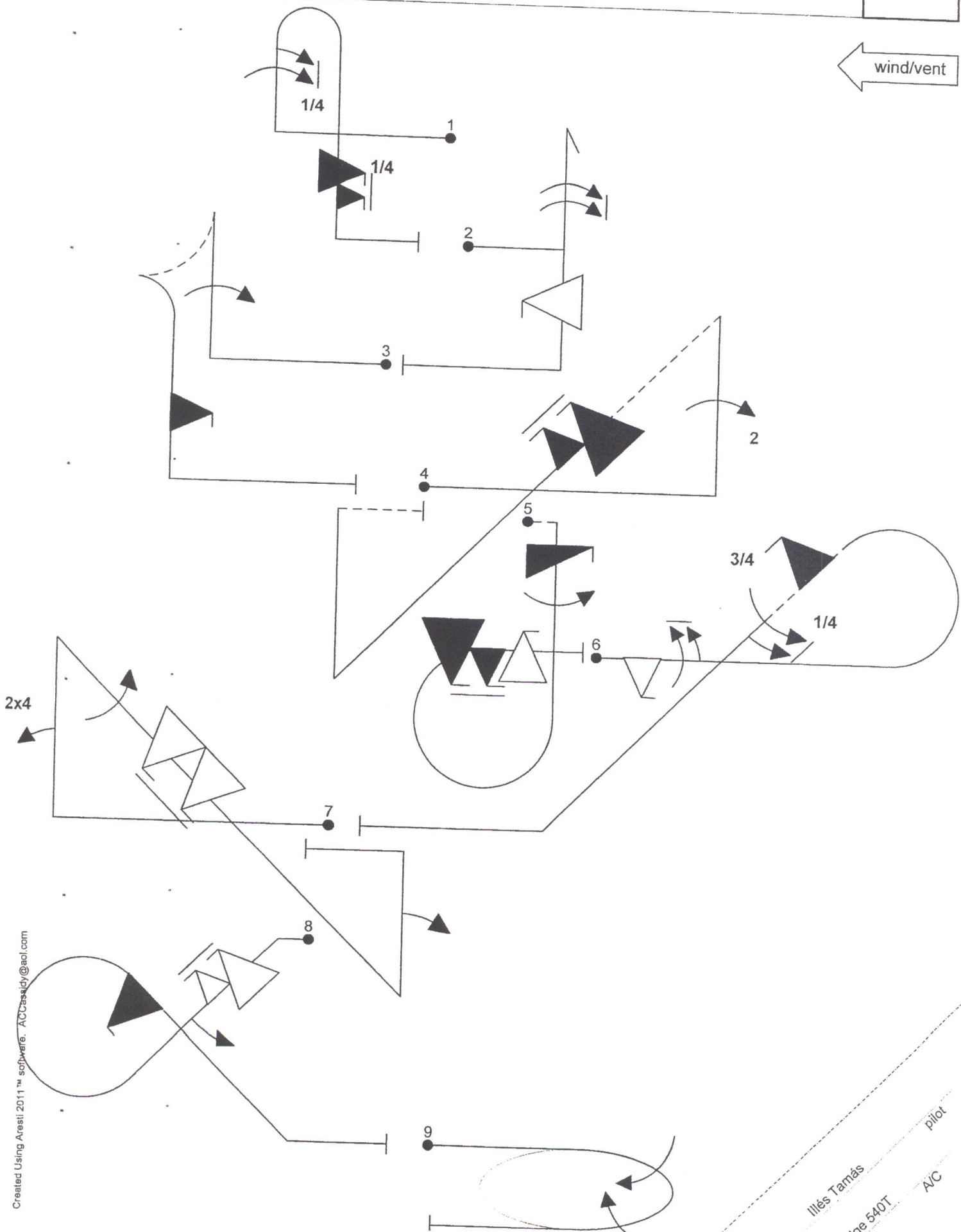
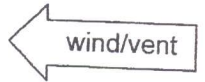
Marek Hyka
EXTRA 330 LC (O
A/C pilot



Pilot ID #

Unlimited Free

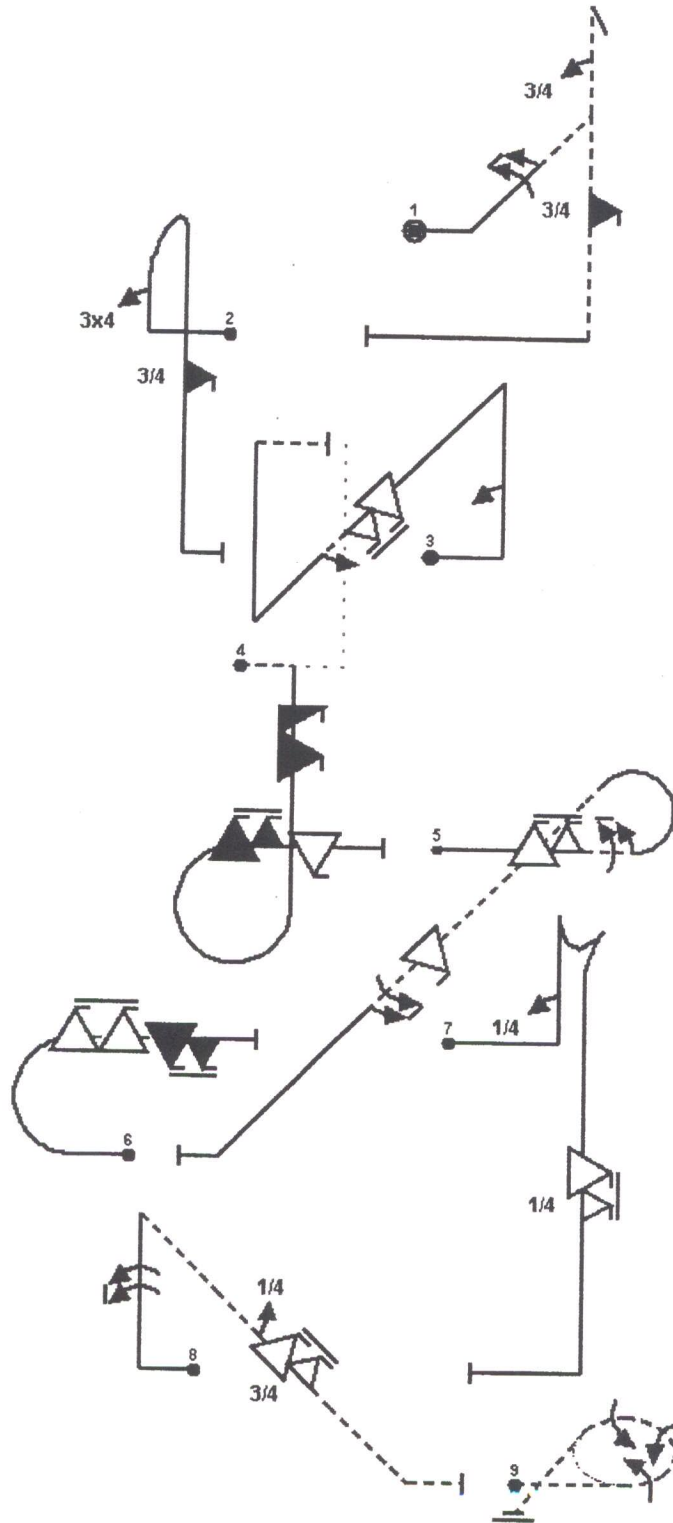
Flight #



Created Using Ares!! 2011™ software - ACClassidy@aol.com

Illés Tamás
 Edge 540T
 Pilot
 A/C

foligno		FORM B	
Pilot ID #	Free	Unlimited	Flight #



No	Catalog No	K	Tot K
1	5.3.1	24	59
	9.1.2.6	12	
	9.1.1.3	10	
	9.10.5.3	13	
2	8.1.1	13	40
	9.4.1.3	12	
	9.10.10.3	15	
3	1.41.1	22	48
	9.1.1.2	8	
	9.9.4.6	14	
	9.1.4.2	4	
4	8.39.4	12	62
	9.12.1.4	7	
	9.10.5.4	13	
	9.10.8.6	19	
	9.9.3.4	11	
5	8.42.1	10	57
	9.9.3.6	14	
	9.1.3.6	10	
	9.9.9.4	13	
	9.1.4.6	10	
6	7.2.1	6	39
	9.9.3.8	17	
	9.10.3.6	16	
7	6.1.1	15	34
	9.1.1.1	6	
	9.9.5.5	13	
8	1.16.1	14	50
	9.1.1.8	18	
	9.1.4.1	2	
	9.9.4.7	16	
9	2.8.2	31	31

—Total K= 420 —

Total K = 420 (31k@9,62k@4)

Sequence [11 civa unlimited free] Verified OK: 9 Figures, 420K (max)

6dh(3)3if34b3if 2pn(6f;2)- -is;ifirp6if,f 6f;6cf;6 m9f,6if 4ta5f 9k4;7f-^ -3j3-

WANOFF
FRANCE
pilot
A/C

Pilot ID #

Flight #

Unlimited Free

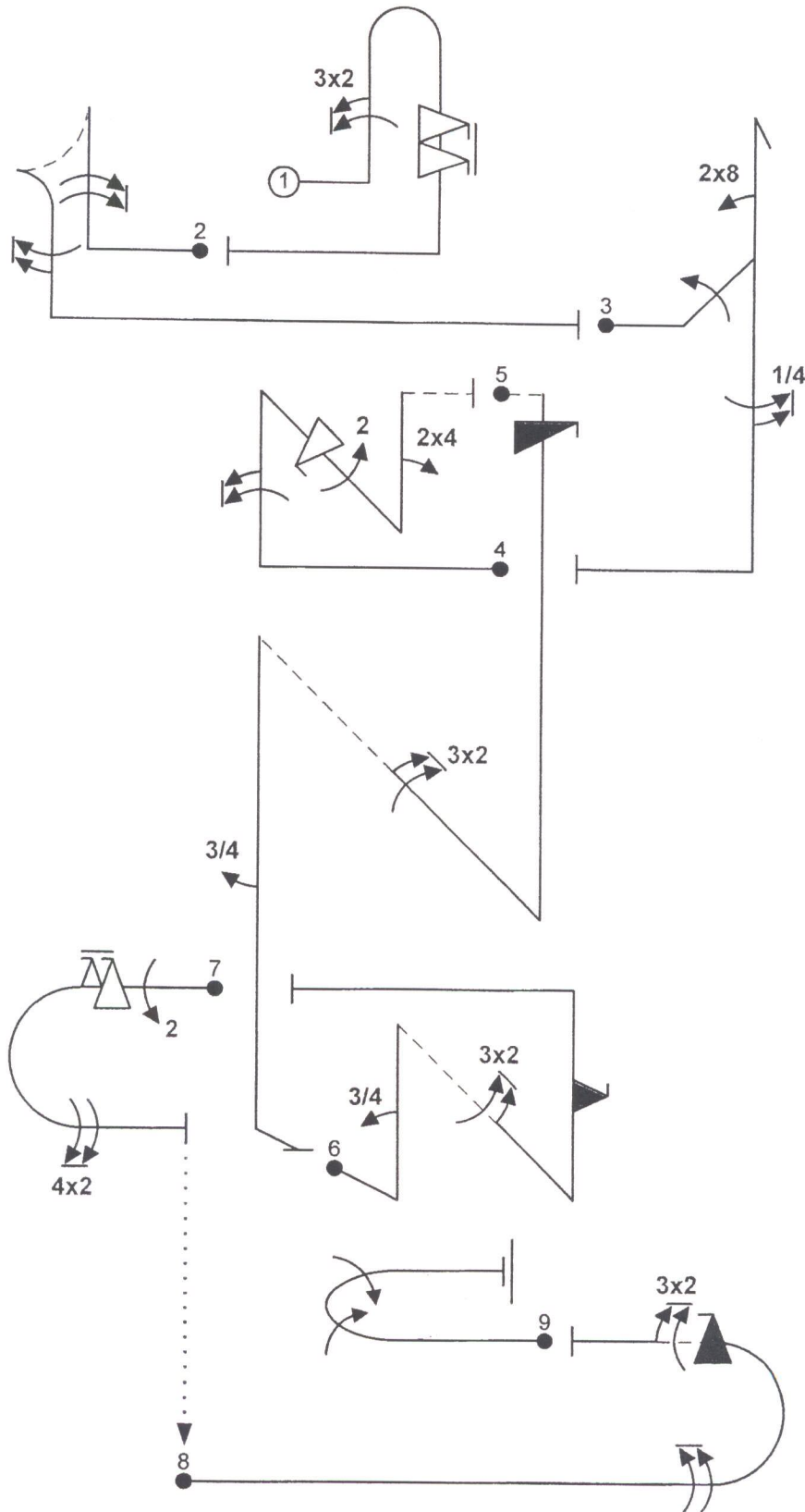
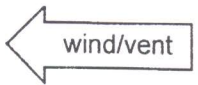


Fig 1	8.1.1 9.2.1.6 9.9.5.8	13 17 17	47
Fig 2	6.2.1 9.1.1.8 9.1.5.6	15 18 10	43
Fig 3	5.2.1 9.1.2.4 9.8.1.1 9.1.5.5	18 10 7 9	44
Fig 4	1.41.1 9.1.1.6 9.9.4.4 9.2.4.4 9.4.1.2	22 15 11 9 9	66
Fig 5	1.38.4 9.12.1.4 9.2.2.6 9.1.5.3	20 7 14 6	47
Fig 6	1.39.1 9.1.1.3 9.2.4.6 9.10.6.2	21 10 12 19	62
Fig 7	7.3.3 9.2.3.4 9.9.3.6 9.2.3.8	6 9 14 15	44
Fig 8	7.2.1 9.1.3.8 9.10.8.4 9.2.3.6	6 12 15 12	45
Fig 9	2.6.1	22	22
Total K = 420			



WAC-2011

FORM B

Pilot ID #

Unlimited Free

Flight #

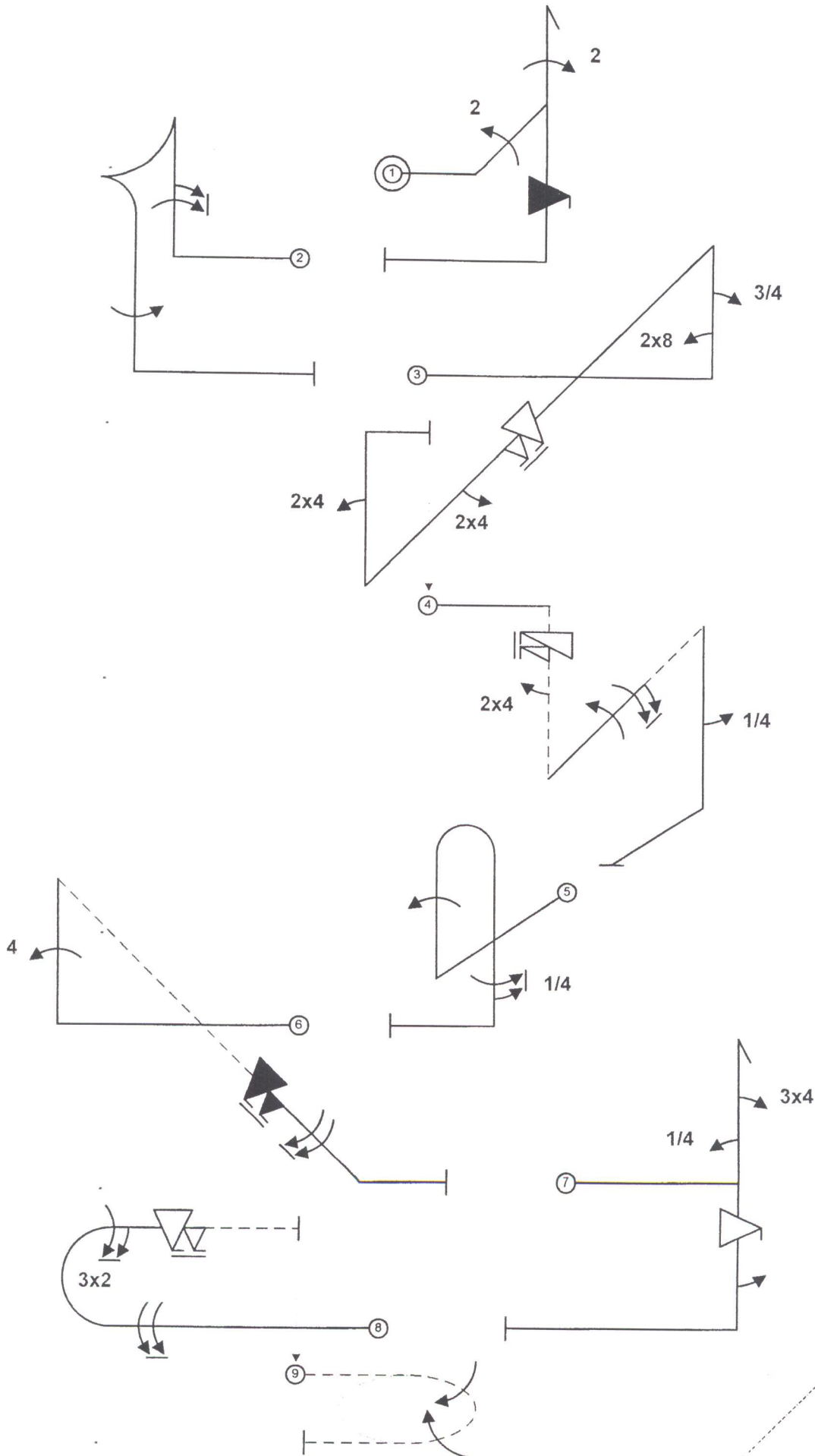
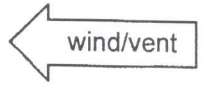


Fig 1	5.2.1	18	55
	9.2.2.4	11	
	9.2.1.4	13	
	9.10.5.4	13	
Fig 2	6.1.1	15	38
	9.1.5.4	8	
	9.1.1.6	15	
Fig 3	1.40.1	22	67
	9.9.4.6	14	
	9.8.1.1	7	
	9.1.1.3	10	
	9.4.1.2	9	
	9.4.4.2	5	
Fig 4	1.43.3	21	53
	9.11.1.6	3	
	9.1.5.1	2	
	9.1.2.4	10	
	9.1.2.6	12	
Fig 5	8.1.1	13	34
	9.1.1.4	12	
	9.1.5.5	9	
Fig 6	9.4.1.4	15	56
	9.10.4.6	16	
	1.18.1	13	
	9.1.4.8	12	
Fig 7	5.1.1	17	50
	9.9.5.4	11	
	9.1.5.2	4	
	9.1.1.1	6	
	9.4.1.3	12	
Fig 8	7.1.1	6	44
	9.1.3.8	12	
	9.9.3.6	14	
	9.2.3.6	12	
Fig 9	2.6.2	23	23
Total K = 420			



Pilot ID #

Unlimited Free

Flight #

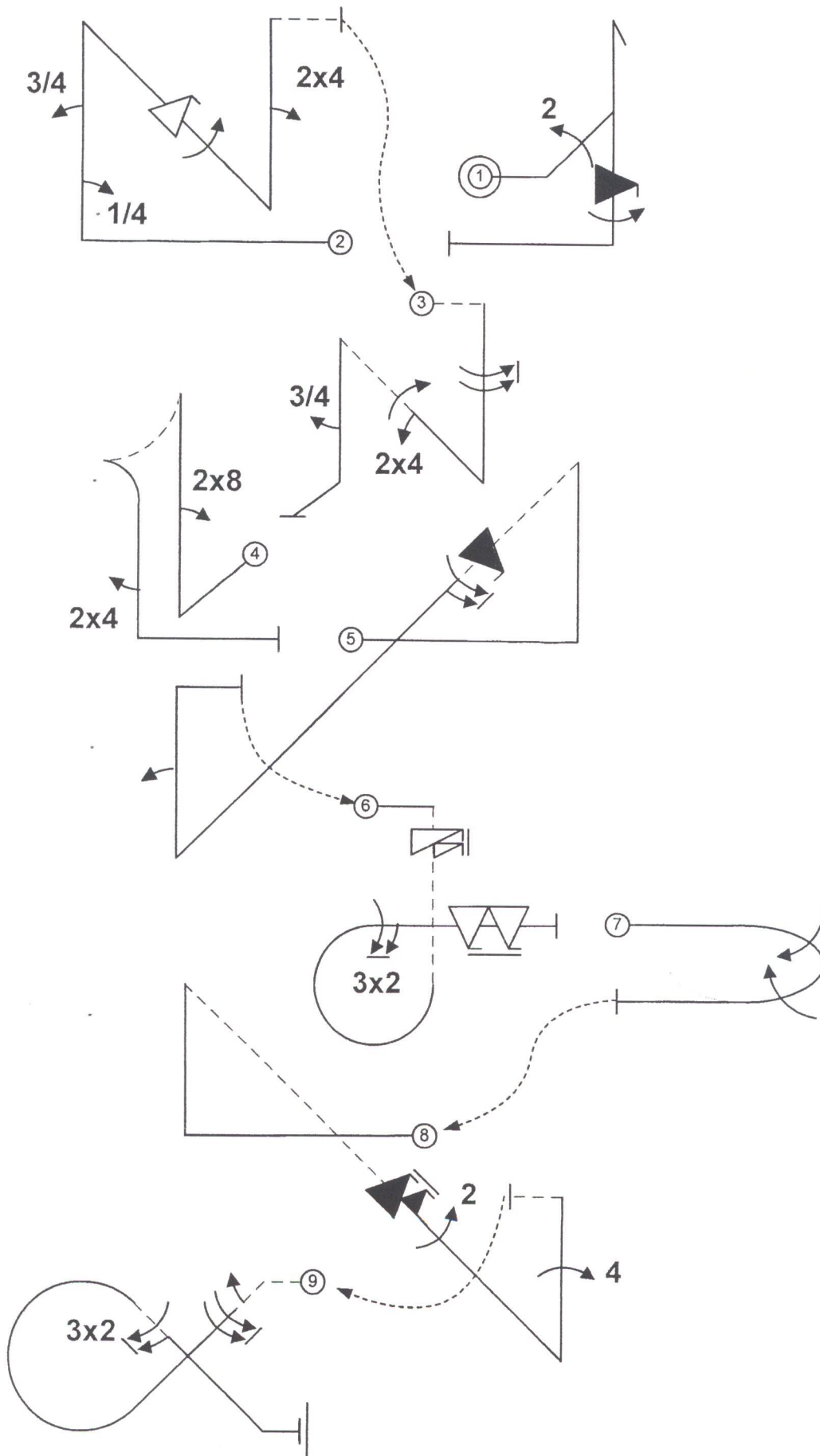


Fig 1	5.2.1	18	50
	9.2.2.4	11	
	9.10.5.4	13	
	9.1.5.4	8	
Fig 2	1.41.1	22	66
	9.9.4.4	11	
	9.1.4.4	8	
	9.4.1.2	9	
	9.1.1.3	10	
	9.1.1.1	6	
Fig 3	1.38.4	20	55
	9.1.5.8	12	
	9.1.5.3	6	
	9.4.2.2	7	
	9.1.2.4	10	
Fig 4	6.2.1	15	27
	9.8.1.1	7	
	9.4.5.2	5	
Fig 5	1.39.1	21	52
	9.1.4.6	10	
	9.1.1.2	8	
	9.10.4.4	13	
Fig 6	8.40.3	13	45
	9.11.1.6	3	
	9.2.3.6	12	
	9.9.3.8	17	
Fig 7	2.6.1	22	22
Fig 8	1.38.1	20	60
	9.4.1.4	15	
	9.10.4.6	16	
	9.2.4.4	9	
Fig 9	7.22.4	15	43
	9.1.4.2	4	
	9.1.4.8	12	
	9.2.4.6	12	
Total K = 420			

Pilot ID #

Unlimited Free

Flight #

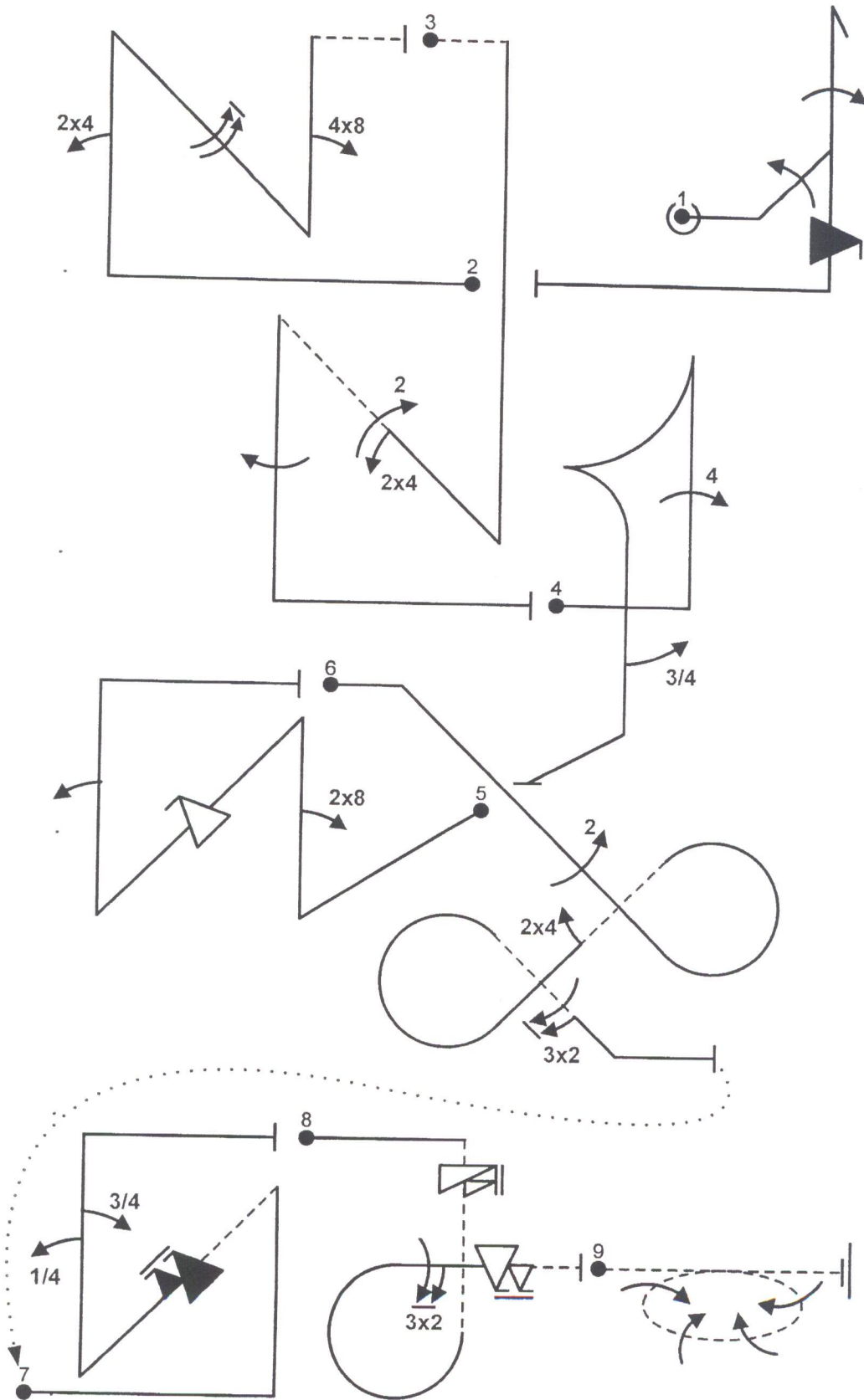


Fig 1	9.1.2.4	10	53
	9.1.1.4	12	
	5.2.1	18	
	9.10.5.4	13	
Fig 2	1.41.1	22	54
	9.4.1.2	9	
	9.1.4.8	12	
Fig 3	1.38.4	20	46
	9.2.2.4	11	
	9.1.5.4	8	
	9.4.2.2	7	
Fig 4	6.1.1	15	36
	9.4.1.4	15	
	9.1.5.3	6	
Fig 5	1.40.1	22	48
	9.8.1.1	7	
	9.9.4.4	11	
	9.1.1.2	8	
Fig 6	7.37.3	23	49
	9.2.4.4	9	
	9.2.4.6	12	
	9.4.4.2	5	
Fig 7	1.39.1	21	53
	9.10.4.6	16	
	9.1.1.1	6	
	9.1.1.3	10	
Fig 8	8.34.3	13	42
	9.11.1.6	3	
	9.2.3.6	12	
	9.9.3.6	14	
Fig 9	2.10.2	39	39

Total K = 420



Pilot ID #

Unlimited Free

Flight #

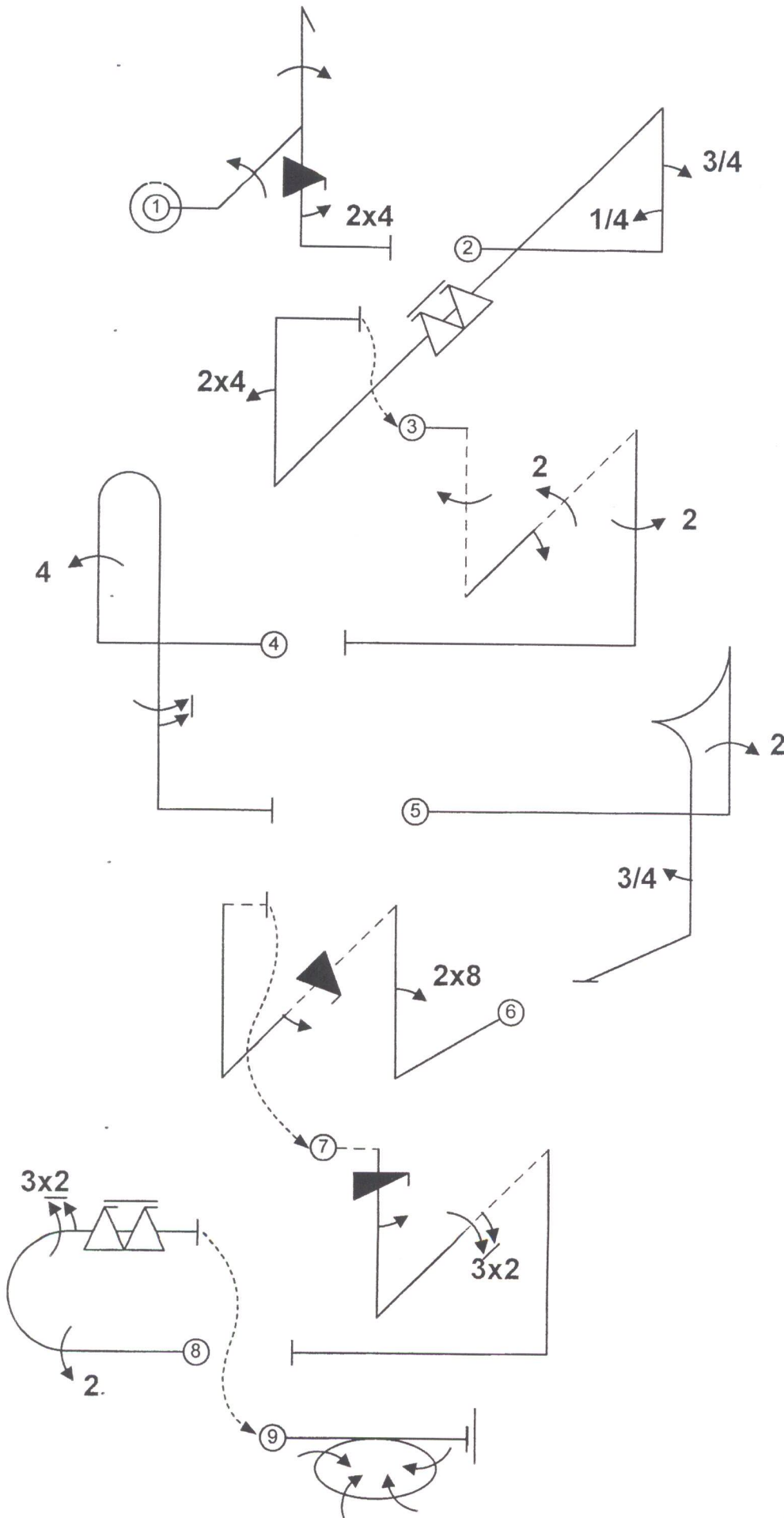
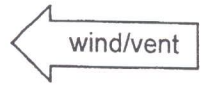
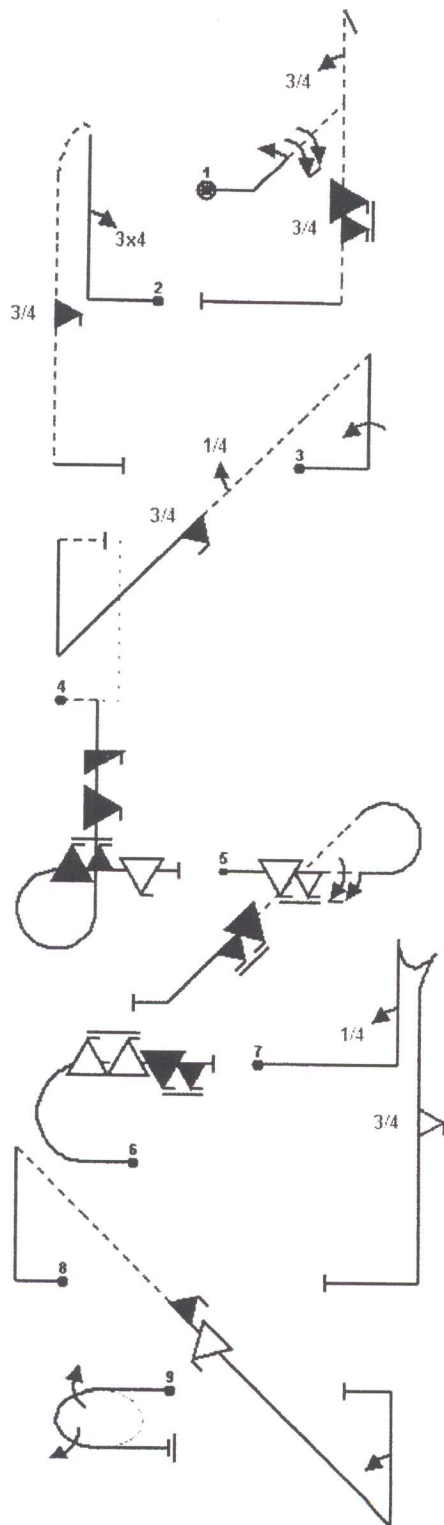
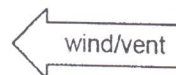


Fig 1	5.2.1	18	58
	9.1.2.4	10	
	9.1.1.4	12	
	9.10.5.4	13	
	9.4.5.2	5	
Fig 2	1.40.1	22	64
	9.1.1.1	6	
	9.1.1.3	10	
	9.9.4.8	17	
	9.4.1.2	9	
Fig 3	1.43.3	21	55
	9.1.5.4	8	
	9.1.2.2	6	
	9.2.2.4	11	
	9.2.5.4	9	
Fig 4	8.1.1	13	38
	9.4.1.4	15	
	9.1.5.6	10	
Fig 5	6.1.1	15	34
	9.2.1.4	13	
	9.1.5.3	6	
Fig 6	1.38.1	20	44
	9.8.1.1	7	
	9.10.4.4	13	
	9.1.4.2	4	
Fig 7	1.38.4	20	45
	9.12.1.4	7	
	9.1.5.2	4	
	9.2.2.6	14	
Fig 8	7.2.1	6	44
	9.9.3.8	17	
	9.2.3.4	9	
	9.2.3.6	12	
Fig 9	2.10.1	38	38
Total K = 420			



Pilot ID #		Free		Unlimited		FORM B	
						Flight #	



No	Catalog No	K	Tot K
1	5.3.1	24	73
	9.1.2.2	6	
	9.1.2.8	15	
	9.1.1.3	10	
	9.10.5.7	18	sf 5
2	8.3.1	15	40
	9.4.1.3	12	
	9.10.5.3	13	
3	1.38.1	20	47
	9.1.1.4	12	
	9.1.4.1	2	
	9.10.4.3	13	
4	8.39.4	12	62
	9.12.1.4	7	
	9.10.5.4	13	
	9.10.8.6	19	
	9.9.3.4	11	
5	8.42.1	10	50
	9.9.3.6	14	
	9.1.3.6	10	
	9.10.4.6	16	
6	7.2.1	6	39
	9.9.3.8	17	
	9.10.3.6	16	
7	6.1.1	15	32
	9.1.1.1	6	
	9.9.5.3	11	
8	1.39.1	21	53
	9.10.4.2	13	
	9.9.4.4	11	
	9.1.1.2	8	
9	2.6.3	24	sf 2

--Total K= 420 --

Total K = 420 (24k@9,73k@1)

Sequence [civa unlimited free] Verified OK: 9 Figures, 420K (max)

2,9dh(3)7if 34pb3if 1n(4,3if)- -is;ifirp6if,f 6f;6c6ifm9f,6if 4ta3f n(2if,f)22jo2

LEBERLINGER

pilot

A/C



WAC Foligno

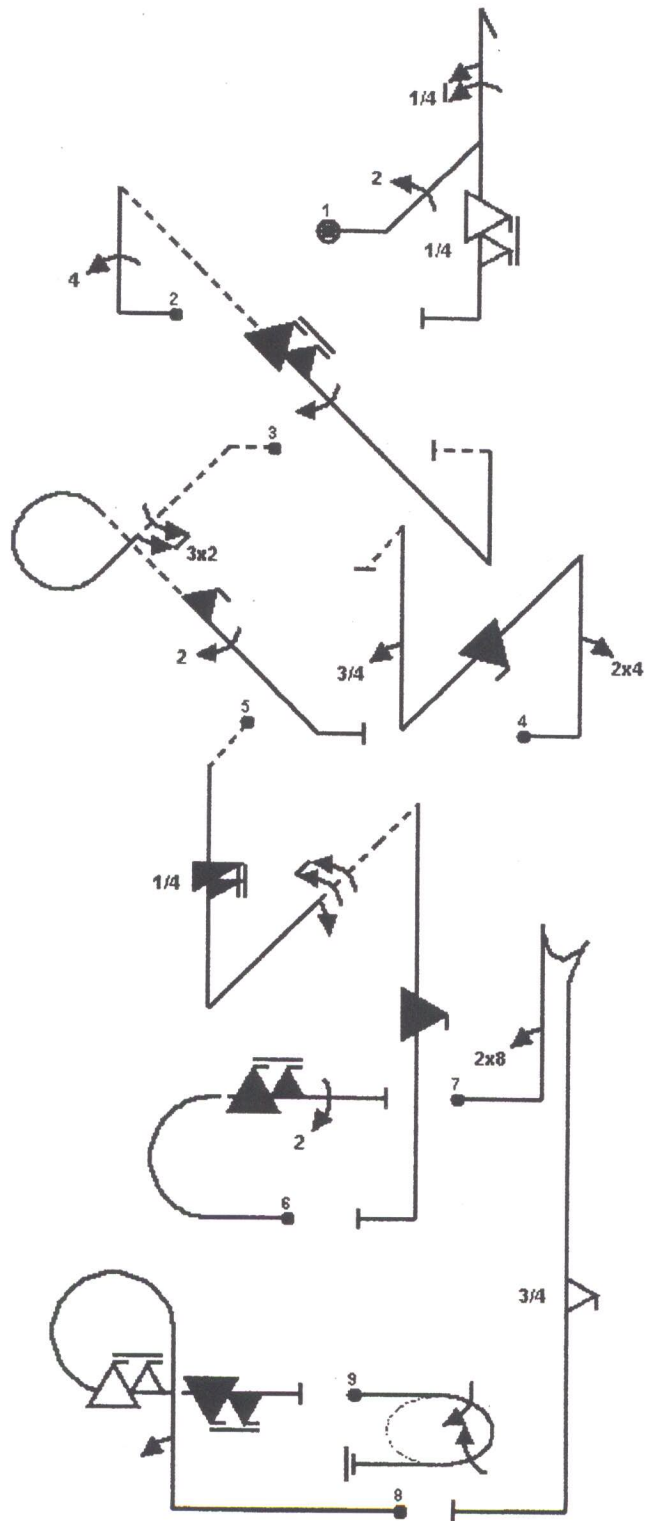
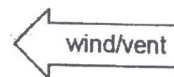
FORM B

Pilot ID #

Free

Unlimited

Flight #



No	Catalog No	K	Tot K
1	5.2.1	18	66
	9.2.2.4	11	
	9.1.1.5	14	
	9.9.5.5	13	
			sf 5
2	1.38.1	20	59
	9.4.1.4	15	
	9.10.4.6	16	
	9.1.4.4	8	
			sf 7
3	7.22.4	15	49
	9.2.4.6	12	
	9.10.4.2	13	
	9.2.4.4	9	
			sf 7
4	1.41.1	22	56
	9.4.1.2	9	
	9.10.9.4	15	
	9.1.1.3	10	
			sf 7
5	1.38.4	20	62
	9.12.1.5	6	
	9.1.2.2	6	
	9.1.2.8	15	
	9.10.10.4	15	
			sf 7
6	7.2.1	6	34
	9.10.8.6	19	
	9.2.3.4	9	
			sf 7
7	6.1.1	16	33
	9.8.1.1	7	
	9.9.5.3	11	
			sf 6
8	8.33.1	11	49
	9.1.1.2	8	
	9.9.3.6	14	
	9.10.3.6	16	
			sf 7
9	2.6.1	22	sf 2

---Total K= 420 ---

Total K = 420 (22k@9,62k@5)

Olan v6.0 © M. Golan http://www.aerobatics.org.il/olan

Sequence [11 civa unlimited free] Verified OK: 9 Figures, 420K (max)

22dh(5)5f 44n(6if,1)- -32ig2if,22 24pn(if)3- -5isin(2,9)if m6if,22 8ta3f 2rp6f,6if

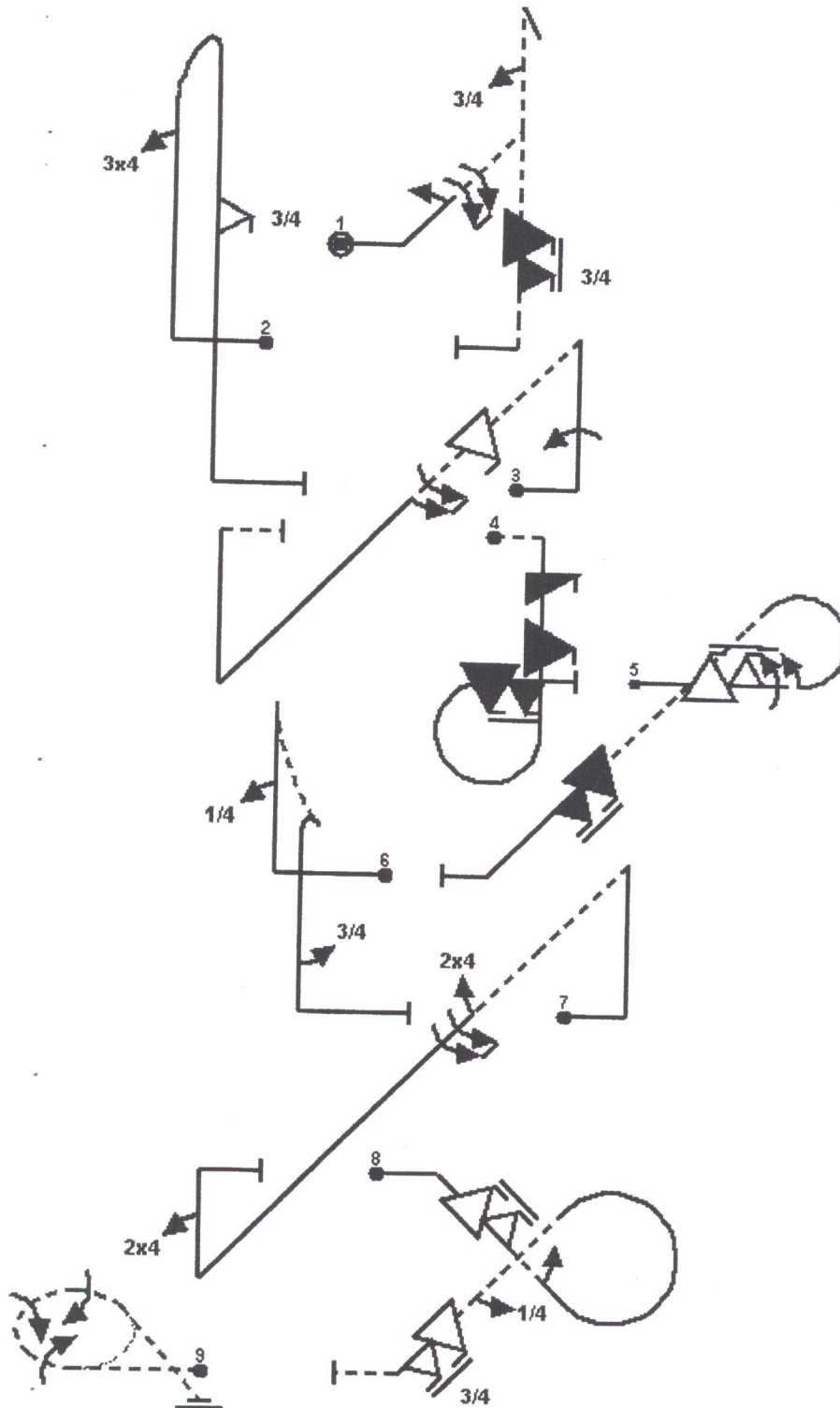
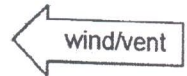
LEMORDANT Aude

pilot

A/C



italie		FORM B
Pilot ID #	Free	Unlimited
		Flight #



No	Catalog No	K	Tot K
1	6.3.1	24	73
	9.1.2.2	6	
	9.1.2.8	16	
	9.1.1.3	10	
	9.10.5.7	18	
2	8.1.1	13	36
	9.4.1.3	12	
	9.9.5.3	11	
3	1.38.1	20	55
	9.1.1.4	12	
	9.9.9.4	13	
	9.1.4.6	10	
4	8.39.4	12	51
	9.12.1.4	7	
	9.10.5.4	13	
	9.10.8.6	19	
5	8.42.1	10	50
	9.9.3.6	14	
	9.1.3.6	10	
	9.10.4.6	16	
6	6.2.1	15	27
	9.1.1.1	6	
	9.1.5.3	6	
7	1.39.1	21	47
	9.4.4.2	5	
	9.1.4.8	12	
	9.4.1.2	9	
8	7.19.3	14	50
	9.9.4.6	14	
	9.1.4.2	4	
	9.1.4.1	2	
	9.9.4.7	16	
9	2.8.2	31	sf 2

—Total K= 420 —

Total K = 420 (27k@6,73k@1)

Sequence [civa unlimited free] Verified OK: 9 Figures, 420K (max)

2,9dh(3)7if 34b3f 1n(f;6) - is;ifrp6if/ 6f;6c6if 4ita3n(24,9)24 6f;2ig4;7f-3j3-

le vot
ex 330 sc
pilot
A/C

Pilot ID #

Unlimited Free

Flight #

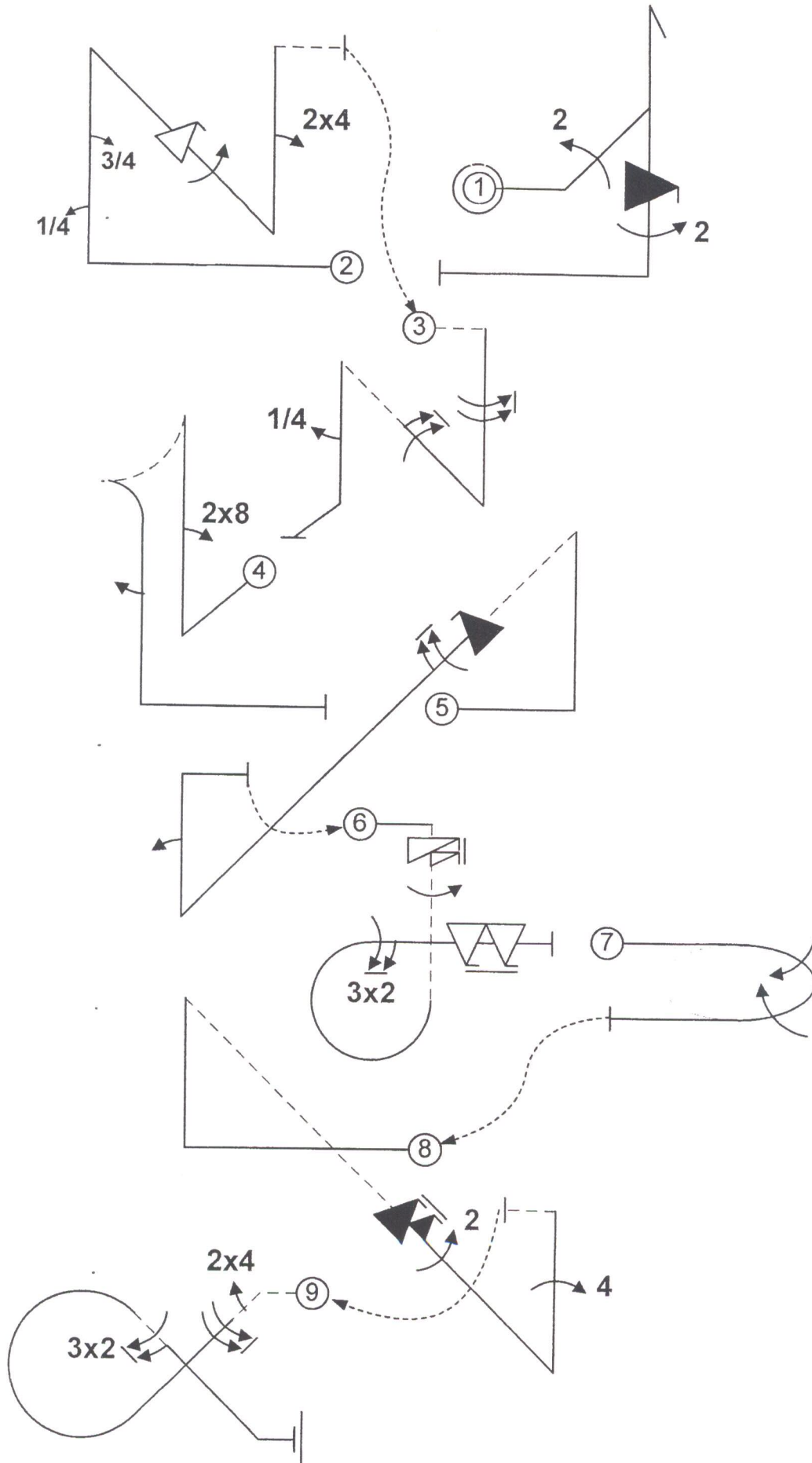


Fig 1	5.2.1	18	51
	9.2.2.4	11	
	9.10.5.4	13	
	9.2.5.4	9	
Fig 2	1.41.1	22	66
	9.1.1.1	6	
	9.1.1.3	10	
	9.9.4.4	11	
	9.1.4.4	8	
	9.4.1.2	9	
Fig 3	1.38.4	20	46
	9.1.2.6	12	
	9.1.5.8	12	
	9.1.5.1	2	
Fig 4	6.2.1	15	26
	9.8.1.1	7	
	9.1.5.2	4	
Fig 5	1.39.1	21	52
	9.1.1.2	8	
	9.10.4.4	13	
	9.1.4.6	10	
Fig 6	8.40.3	13	53
	9.11.1.6	3	
	9.1.5.4	8	
	9.2.3.6	12	
	9.9.3.8	17	
Fig 7	2.6.1	22	22
Fig 8	1.38.1	20	60
	9.4.1.4	15	
	9.10.4.6	16	
	9.2.4.4	9	
Fig 9	7.22.4	15	44
	9.1.4.8	12	
	9.2.4.6	12	
	9.4.4.2	5	
Total K = 420			



WAC Rovigno

2011

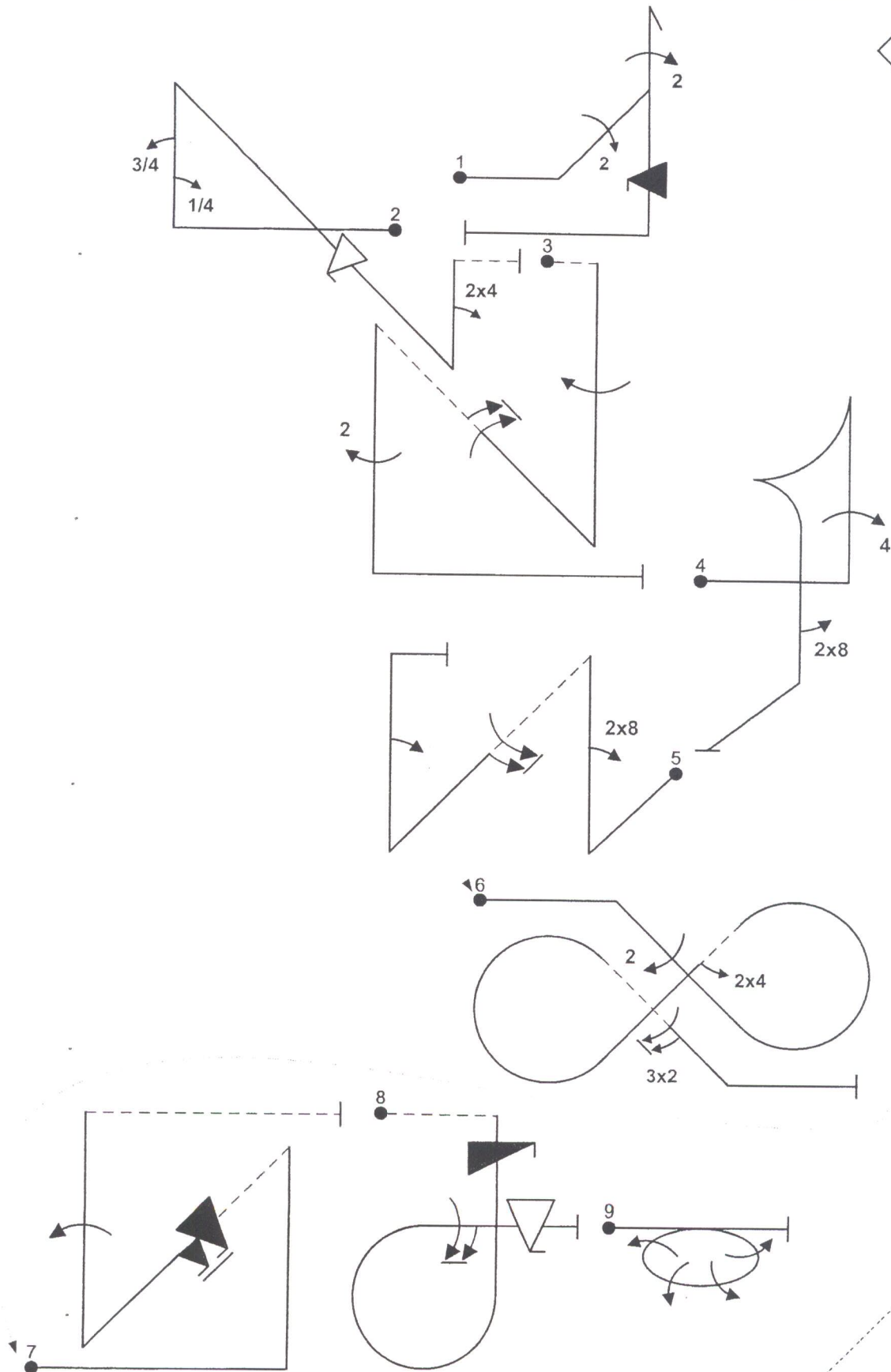
FORM B

Pilot ID #

Flight #

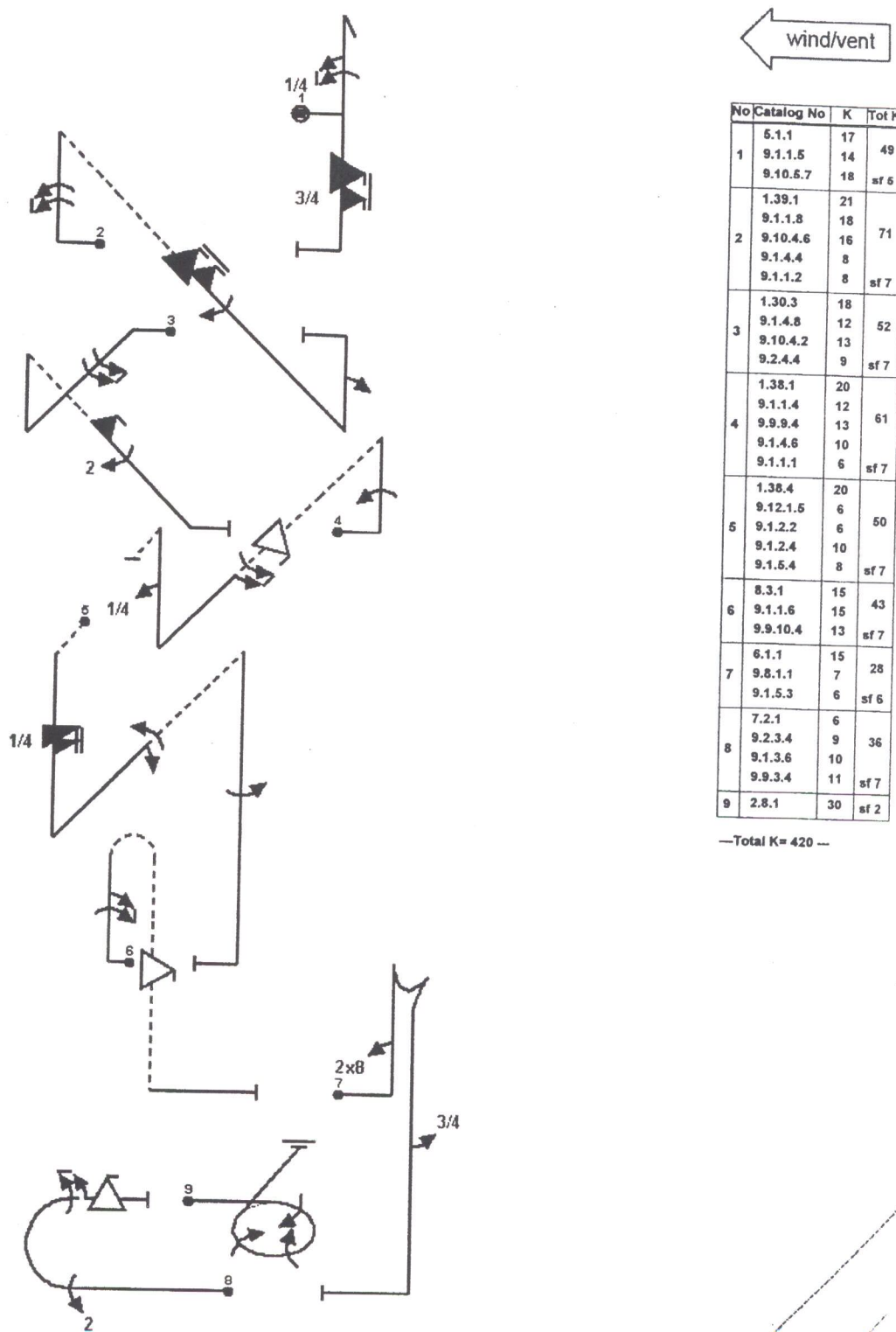
Unlimited Free

wind/vent





WAC		FORM B
Pilot ID #	Free	Unlimited
		Flight #



No	Catalog No	K	Tot K
1	5.1.1	17	49
	9.1.1.5	14	
	9.10.5.7	18	
2	1.39.1	21	71
	9.1.1.8	18	
	9.10.4.6	16	
	9.1.4.4	8	
	9.1.1.2	8	
3	1.30.3	18	52
	9.1.4.8	12	
	9.10.4.2	13	
	9.2.4.4	9	
4	1.38.1	20	61
	9.1.1.4	12	
	9.9.9.4	13	
	9.1.4.6	10	
	9.1.1.1	6	
5	1.38.4	20	50
	9.12.1.5	6	
	9.1.2.2	6	
	9.1.2.4	10	
	9.1.5.4	8	
6	8.3.1	15	43
	9.1.1.6	15	
	9.9.10.4	13	
7	6.1.1	15	28
	9.8.1.1	7	
	9.1.5.3	6	
8	7.2.1	6	36
	9.2.3.4	9	
	9.1.3.6	10	
	9.9.3.4	11	
9	2.8.1	30	sf 2

—Total K= 420 —

Total K = 420 (28k@7,71k@2)

Olan v6.0 © M. Golan http://www.aerobatics.org.il/olan

Sequence [11 civa unlimited free] Verified OK: 9 Figures, 420K (max)
 5h7if 9n(6if,1)2 9iw2if,22 1n(f;6)4- -5isin(2,1)1 6pbf 8ta3 22m6;f 3j3^

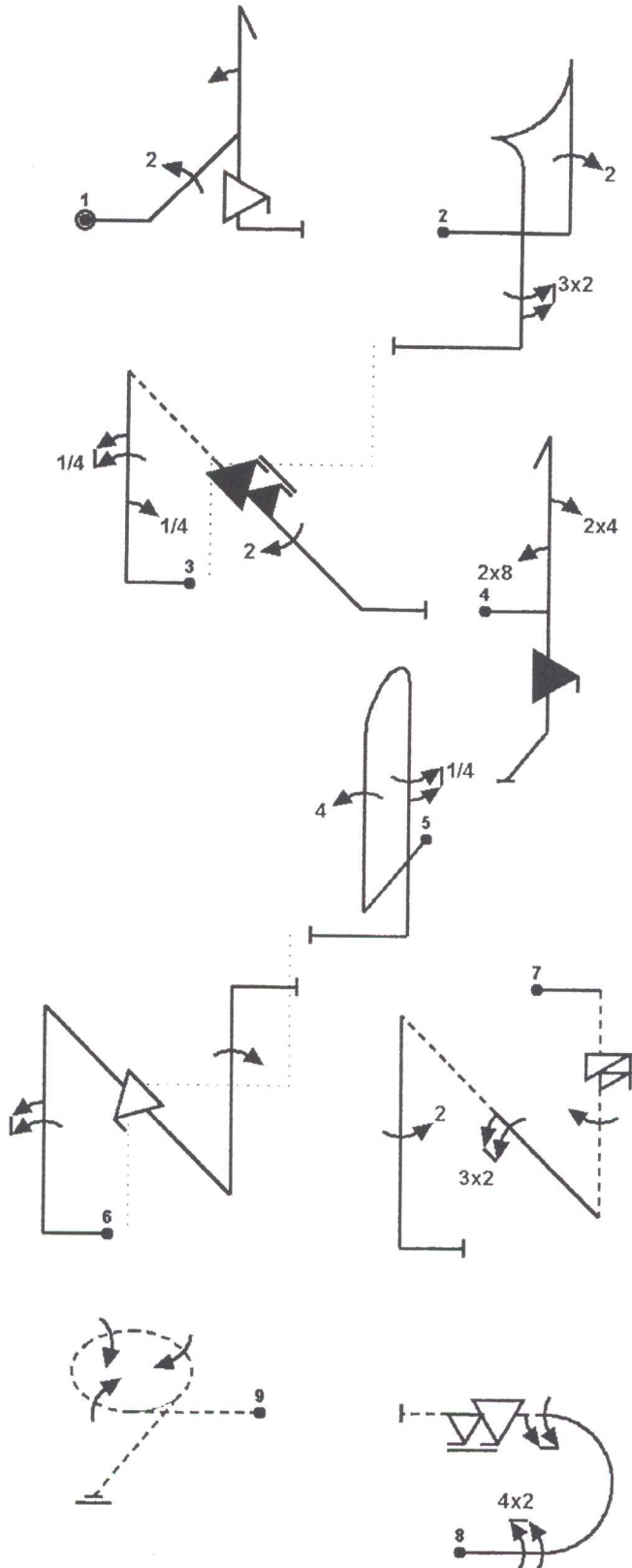
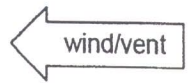
MASUREL Olivier
 pilot
 A/C

Pilot ID #

Free

Unlimited

Flight #



No	Catalog No	K	Tot K
1	5.2.1	18	48
	9.2.2.4	11	
	9.1.1.2	8	
	9.9.5.4	11	
2	6.1.1	15	40
	9.2.1.4	13	
	9.2.5.6	12	
3	1.18.1	13	58
	9.1.1.1	6	
	9.1.1.5	14	
	9.10.4.6	16	
4	9.2.4.4	9	46
	5.1.1	17	
	9.8.1.1	7	
	9.4.1.2	9	
5	9.10.5.4	13	37
	8.1.1	13	
	9.4.1.4	15	
	9.1.5.5	9	
6	1.40.1	22	60
	9.1.1.6	15	
	9.9.4.4	11	
	9.1.1.4	12	
7	1.43.3	21	55
	9.11.1.6	3	
	9.1.5.4	8	
	9.2.2.6	14	
8	9.2.5.4	9	45
	7.1.1	6	
	9.2.3.8	15	
	9.1.3.6	10	
9	9.9.3.6	14	31
	2.8.2	31	

---Total K= 420 ---

Total K = 420 (31k@9,60k@6)

This is a non-FAI sequence

Yoshihide Muroya
Sbach342 D-ERYA
pilot
A/C



WAC2011

2011

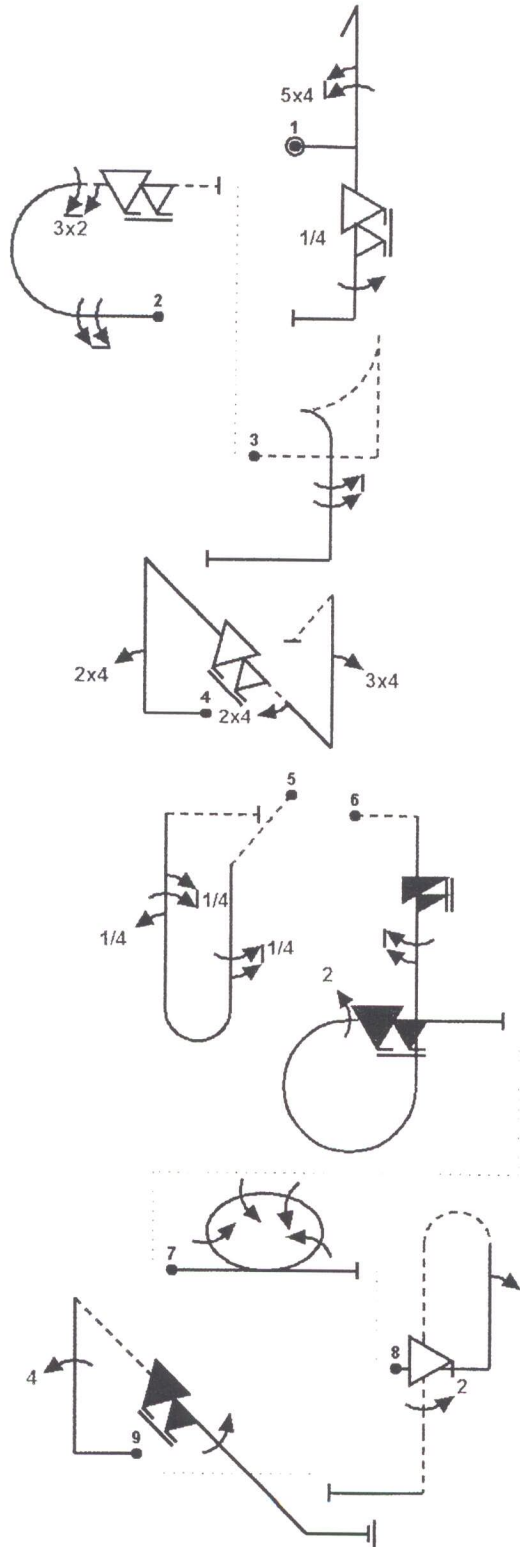
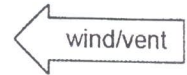
FORM B

Pilot ID #

Free

Unlimited

Flight #



Total K = 420 (29k@3,62k@4)

No	Catalog No	K	Tot K
1	5.1.1	17	56
	9.4.1.5	18	
	9.9.5.5	13	
	9.1.5.4	8	
			sf 4
2	7.1.1	6	44
	9.1.3.8	12	
	9.2.3.6	12	
	9.9.3.6	14	
			sf 4
3	6.2.4	17	29
	9.1.5.8	12	
			sf 6
4	1.41.1	22	62
	9.4.1.2	9	
	9.9.4.6	14	
	9.4.4.2	5	
	9.4.1.3	12	
			sf 4
5	8.1.4	13	42
	9.1.5.5	9	
	9.1.1.1	6	
	9.1.1.5	14	
			sf 7
6	8.39.4	12	52
	9.12.1.6	5	
	9.1.5.6	10	
	9.2.3.4	9	
	9.10.3.6	16	
			sf 3
7	2.10.1	38	sf 2
8	8.3.1	15	45
	9.1.1.2	8	
	9.9.10.4	13	
	9.2.5.4	9	
			sf 4
9	1.18.1	13	52
	9.4.1.4	15	
	9.10.4.6	16	
	9.1.4.4	8	
			sf 4

--Total K= 420 --

Olan v5.10 © M.Golan http://www.aerobatics.org.il/olan

Cannot test this sequence type: 11.civa.unlimited.free

54h5f;19m32;6f- -ita924pn(6f;24)34- -5ib4,5-6is,6irp22,6if 4j4 2pbf;22 44k6if,1^

Pade

Sbach300

pilot

A/C

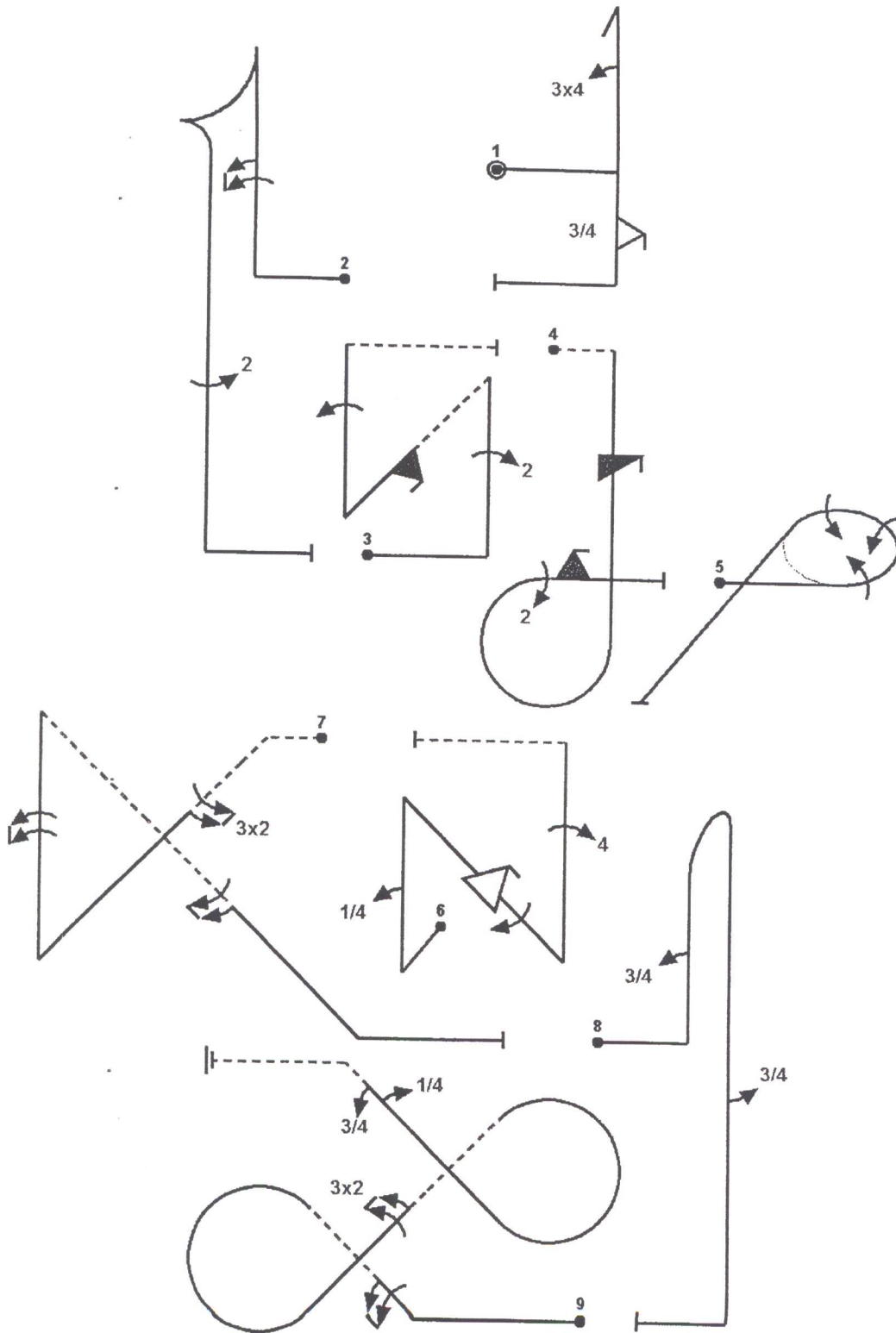
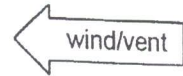


Pilot ID #

Free

Unlimited

Flight #



No	Catalog No	K	Tot K
1	5.1.1	17	40
	9.4.1.3	12	
	9.9.5.3	11	
2	6.1.1	15	39
	9.1.1.6	15	
	9.2.5.4	9	
3	1.38.1	20	58
	9.2.1.4	13	
	9.10.4.2	13	
	9.1.1.4	12	
4	8.39.4	12	41
	9.12.1.4	7	
	9.2.3.4	9	
	9.10.3.2	13	
5	2.8.1	30	sf 2
6	1.41.1	22	62
	9.1.1.1	6	
	9.9.4.4	11	
	9.1.4.4	8	
7	9.4.1.4	15	sf 4
	1.31.4	18	
	9.2.4.6	12	
	9.1.1.8	18	
8	9.1.4.6	10	sf 7
	8.1.1	13	
	9.1.1.3	10	
	9.1.5.3	6	
9	7.38.1	25	63
	9.1.2.6	12	
	9.2.2.6	14	
	9.1.2.1	4	
	9.1.2.3	8	sf 7

--Total K= 420 --

Total K = 420 (29k@8,63k@9)

olan v5.10 © M.Golan http://www.aerobatics.org/olan

Cannot test this sequence type: 11.civa.unlimited.free

34h3f 6ta22 22n(2if)1- -isirp22,2if 3j3 4pn(f,1)44-> -32iw(9)6 3b3 6gg(32)4,3-

PRIMULTINI Vittorio
EXTRA 300 S
pilot
A/C

Pilot ID #	Unlimited Free	Flight #

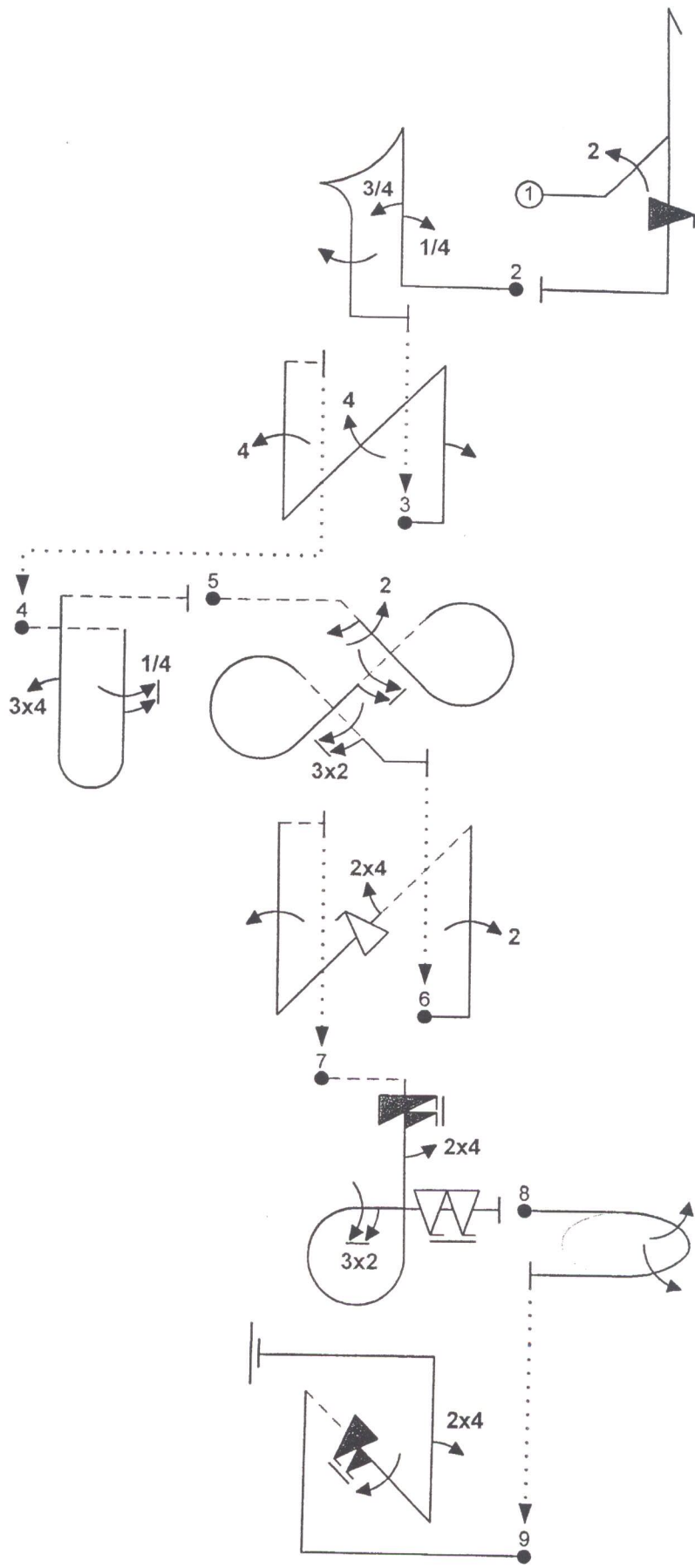
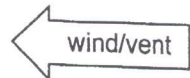


Fig 1	5.2.1	18	42
	9.2.2.4	11	
	9.10.5.4	13	
Fig 2	6.1.1	15	39
	9.1.1.1	6	
	9.1.1.3	10	
	9.1.5.4	8	
Fig 3	1.41.1	22	56
	9.1.1.2	8	
	9.4.4.4	11	
	9.4.1.4	15	
Fig 4	8.1.4	13	34
	9.1.5.5	9	
	9.4.1.3	12	
Fig 5	7.38.4	24	59
	9.1.4.2	4	
	9.2.4.4	9	
	9.1.4.6	10	
	9.2.4.6	12	
Fig 6	1.38.1	20	61
	9.2.1.4	13	
	9.4.4.2	5	
	9.9.4.4	11	
	9.1.1.4	12	
Fig 7	8.39.4	12	51
	9.12.1.6	5	
	9.4.5.2	5	
	9.2.3.6	12	
	9.9.3.8	17	
Fig 8	2.6.3	24	24
Fig 9	1.39.1	21	54
	9.10.4.6	16	
	9.1.4.4	8	
	9.4.1.2	9	
Total K = 420			

Michael Racy
SUKHOI Su-26M3
pilot
A/C



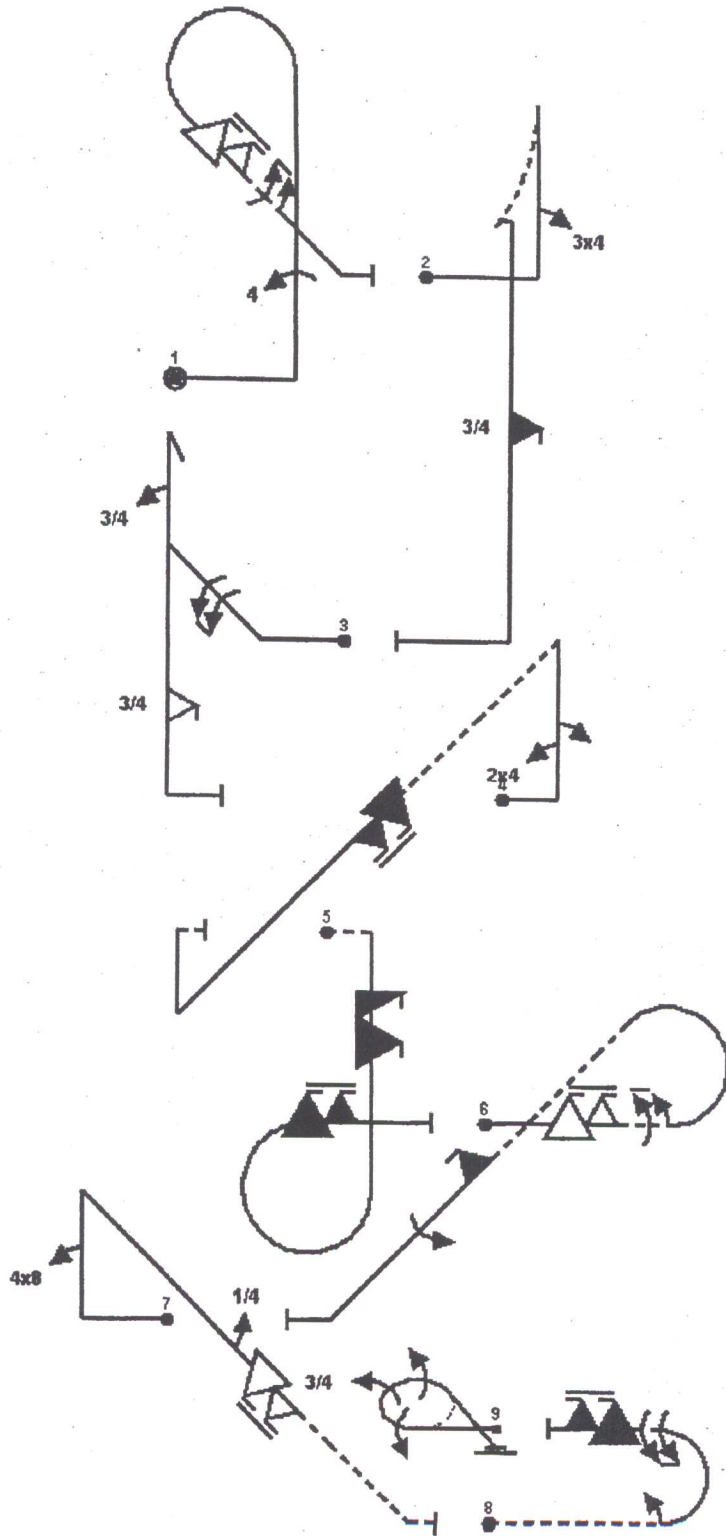
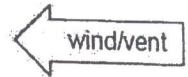
10

FORM B

Free

Unlimited

Flight #



No	Catalog No	K	Tot K
1	8.65.1	12	51
	9.4.1.4	15	
	9.9.4.6	14	
	9.1.4.6	10	
2	6.2.1	15	40
	9.4.1.3	12	
	9.10.5.3	13	
3	6.2.1	18	54
	9.1.2.8	15	
	9.1.1.3	10	
	9.9.5.3	11	
4	1.38.1	20	53
	9.4.1.2	9	
	9.1.1.2	8	
	9.10.4.6	16	
5	8.39.4	12	61
	9.12.1.4	7	
	9.10.5.4	13	
	9.10.8.6	19	
6	8.42.1	10	55
	9.9.3.6	14	
	9.1.3.6	10	
	9.10.4.2	13	
7	1.19.1	16	45
	9.8.1.2	11	
	9.1.4.1	2	
	9.9.4.7	16	
8	7.4.2	6	38
	9.1.3.2	4	
	9.1.3.8	12	
	9.10.3.6	16	
9	2.8.3	33	sf 2

—Total K= 420 —

Total K = 420 (33k@9,55k@6)

Olan v6.0 © M.Golan http://www.aerobatics.org.il/olan

Sequence [11 civa unlimited free] Verified OK: 9 Figures, 420K (max)

44ry6f;6 34ita3if 9dh(3)3f 24,2n(6if)-/ -is;ifirp6if>^ 6f;6c2if,1 48k4,7f-^ -2m9,6if

WARM-UP
 EXTRA 330SC
 PILOT PAULET
 A/C

Pilot ID #

Unlimited Free

Flight #

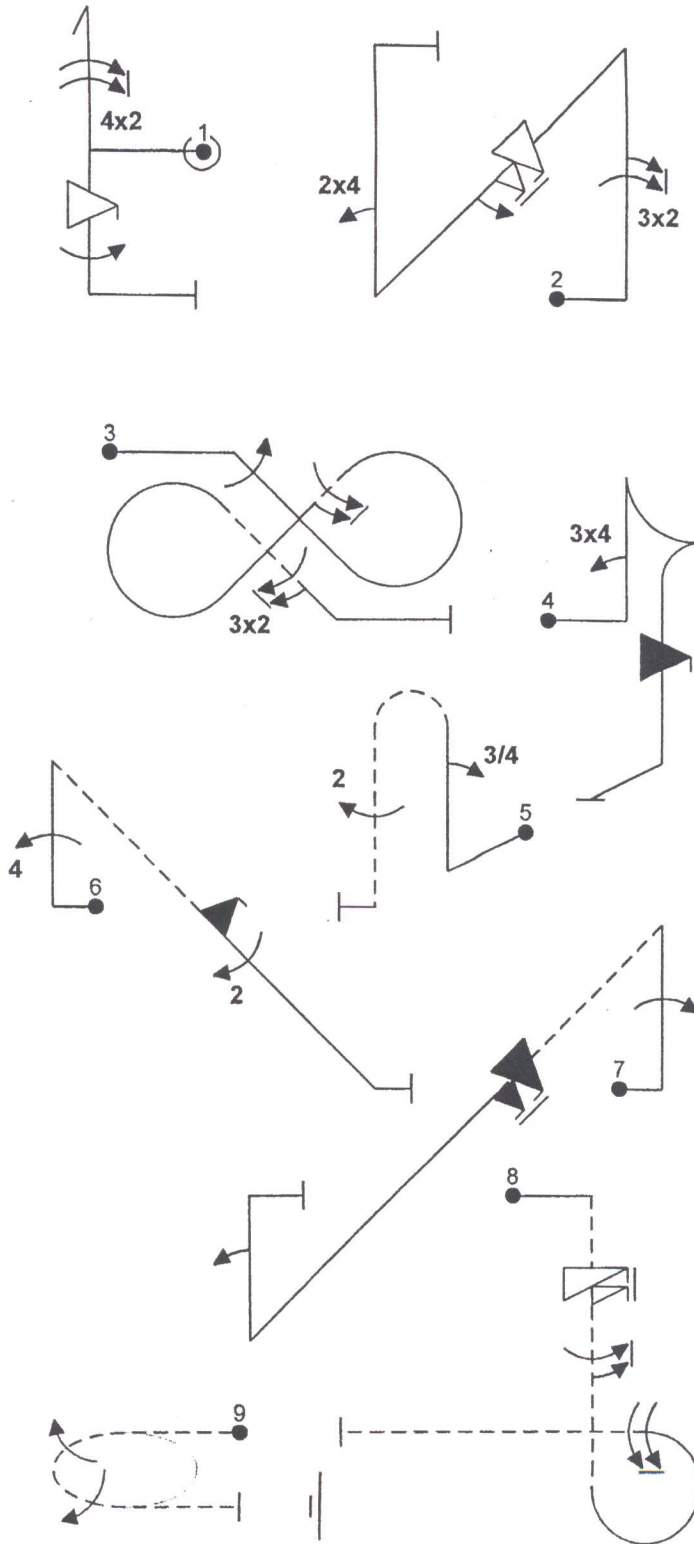
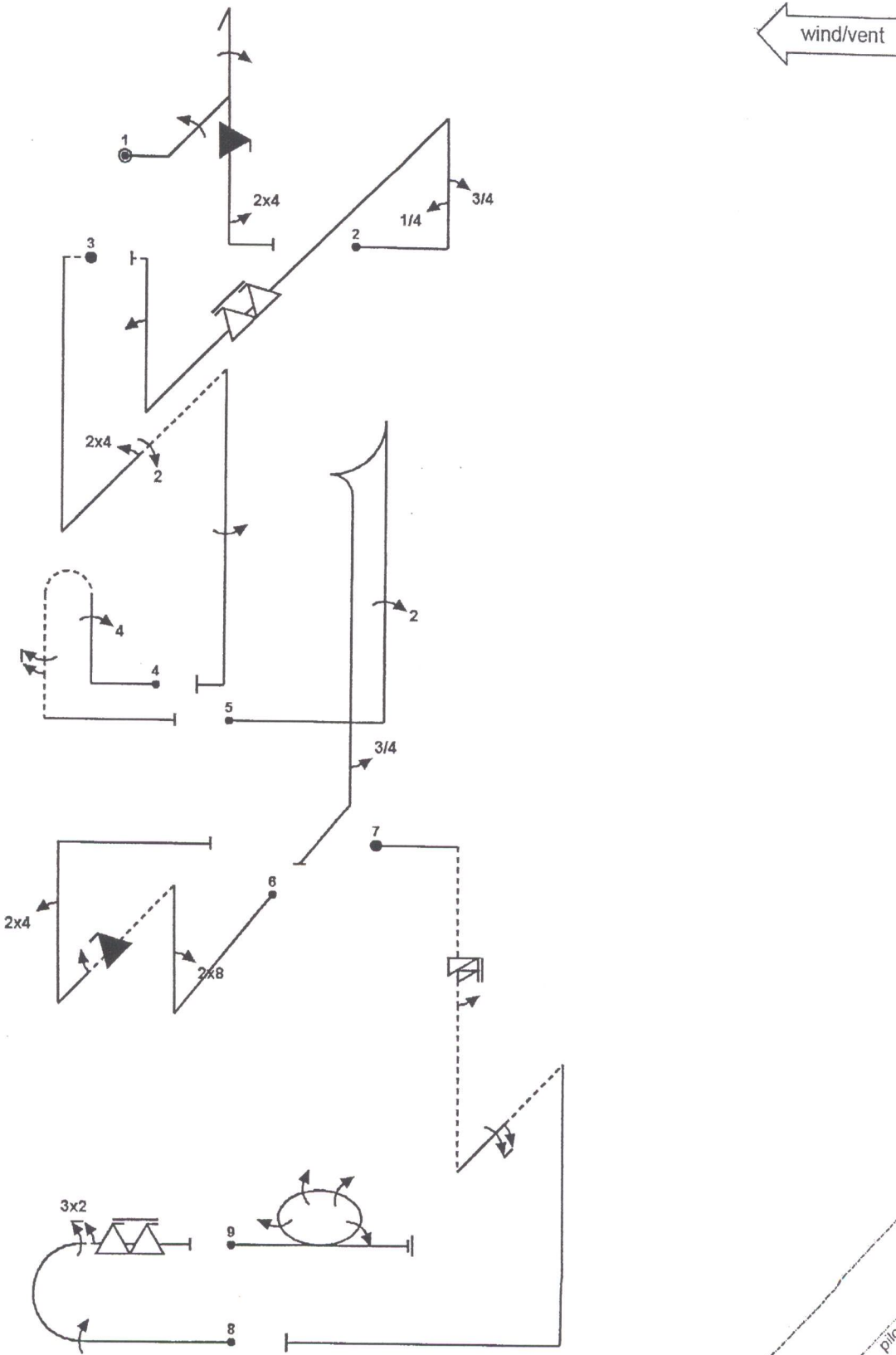


Fig 1	5.1.1	17	57
	9.2.1.8	21	
	9.9.5.4	11	
	9.1.5.4	8	
Fig 2	1.40.1	22	66
	9.2.1.6	17	
	9.9.4.6	14	
	9.1.4.2	4	
Fig 3	7.37.3	23	53
	9.1.4.4	8	
	9.1.4.6	10	
	9.2.4.6	12	
Fig 4	6.1.1	15	40
	9.4.1.3	12	
	9.10.5.4	13	
Fig 5	8.3.1	15	34
	9.1.1.3	10	
	9.2.5.4	9	
Fig 6	1.18.1	13	50
	9.4.1.4	15	
	9.10.4.2	13	
	9.2.4.4	9	
Fig 7	1.39.1	21	57
	9.1.1.4	12	
	9.10.4.6	16	
	9.1.1.2	8	
Fig 8	8.34.3	13	38
	9.11.1.6	3	
	9.1.5.6	10	
	9.1.3.8	12	
Fig 9	2.6.4	25	25
Total K = 420			



WAC 2011		FORM B	
Pilot ID #	Free	Unlimited	Flight #



Total K = 420 (34k@5,63k@2)

Olan v6.0 © M. Golán http://www.aerobatics.org.il/olan

Sequence [civa unlimited free] Verified OK: 9 Figures, 420K (max)
 1dh(1)if;24 4,3pn(9f)2- -in(24,22)1 44pb6 22ta3 8n(if;2)24> 6s;2in(6)^1m32;9f
 C:\Documents and Settings\Utente\Desktop\Nuova cartella\rozlivka jan

Jan Rozlivka Pilot
 SU 31-M (OK-FXB) A/C



WAC

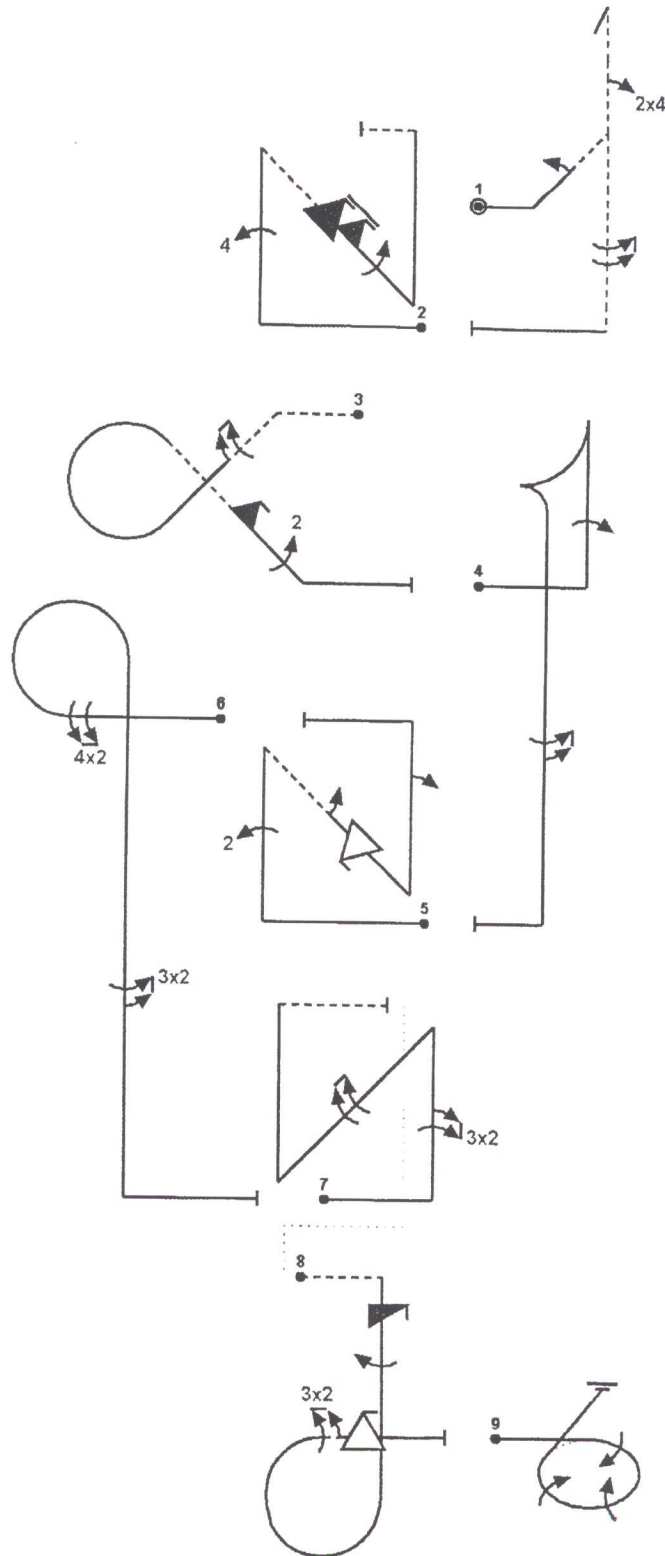
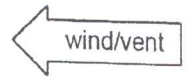
FORM B

Pilot ID #

Free

Unlimited

Flight #



No	Catalog No	K	Tot K
1	5.3.1	24	51
	9.1.2.2	6	
	9.4.1.2	9	
	9.1.5.8	12	
			sf 5
2	1.38.1	20	59
	9.4.1.4	15	
	9.10.4.6	16	
	9.1.4.4	8	
			sf 7
3	7.22.4	15	47
	9.1.4.6	10	
	9.10.4.2	13	
	9.2.4.4	9	
			sf 7
4	6.1.1	15	37
	9.1.1.4	12	
	9.1.5.6	10	
			sf 6
5	1.39.1	21	57
	9.2.1.4	13	
	9.1.4.2	4	
	9.9.4.4	11	
			sf 7
6	8.43.1	11	38
	9.2.3.8	15	
	9.2.5.6	12	
			sf 7
7	1.41.1	22	51
	9.2.1.6	17	
	9.1.4.8	12	
			sf 7
8	8.39.4	12	50
	9.12.1.4	7	
	9.1.5.4	8	
	9.2.3.6	12	
			sf 7
9	2.8.1	30	sf 2

—Total K= 420 —

Total K = 420 (30k@9,59k@2)

Olan v6.0 © M. Golan http://www.aerobatics.org.il/olan

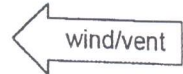
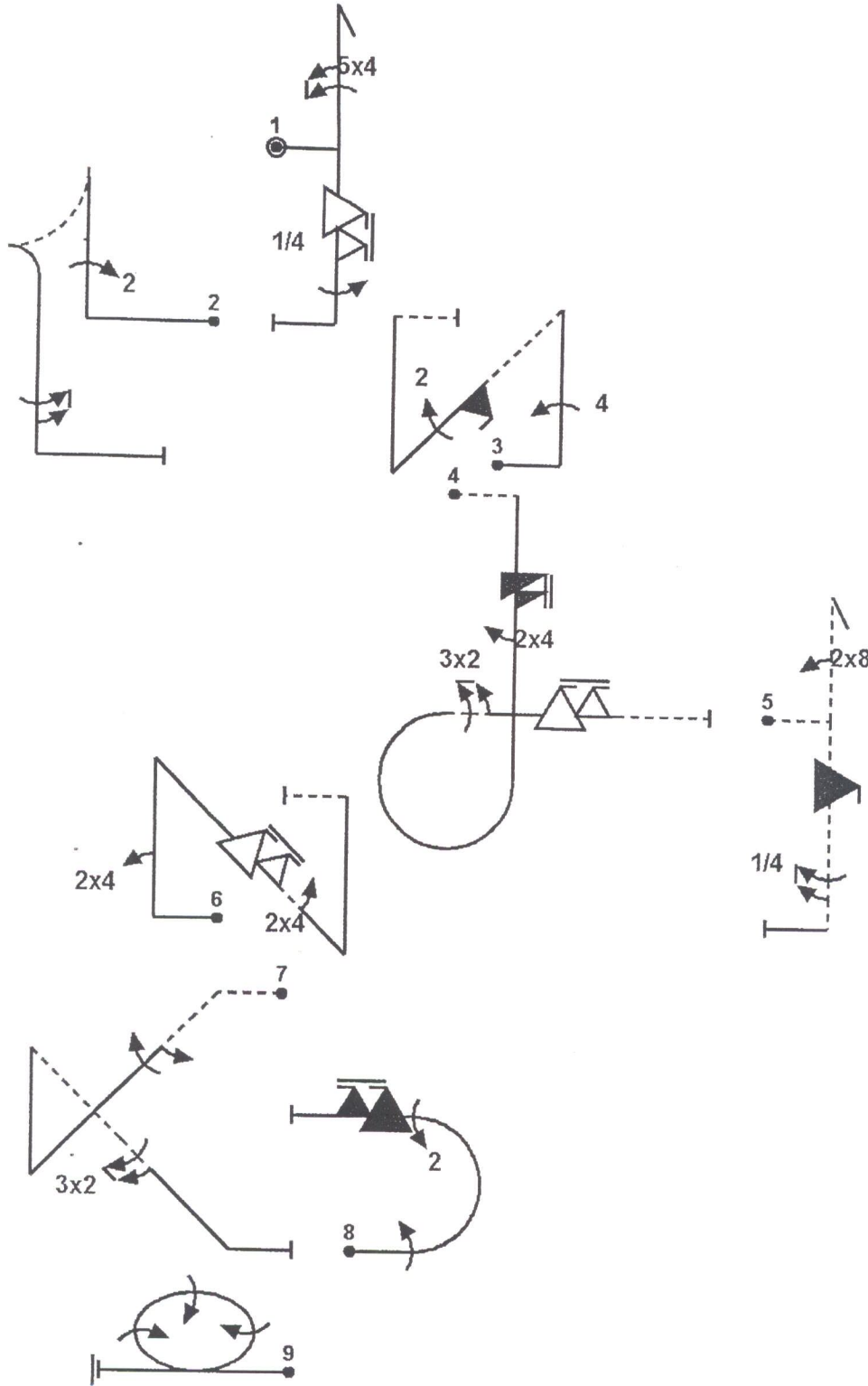
Sequence [11 civa unlimited free] Verified OK: 9 Figures, 420K (max)

2dh(24)9 44n(6if;1)- -6ig2if;22 1ta6 22n(2,f)2 42p32 32pn(9)- -is,1irp32;f 3j3^

Mark Sampson
 N540JH
 pilot
 A/C



2011		FORM B	
Pilot ID #	Free	Unlimited	Flight #



No	Catalog No	K	Tot K
1	5.1.1	17	56
	9.4.1.5	18	
	9.9.5.5	13	
	9.1.5.4	8	
			sf 5
2	6.2.1	15	38
	9.2.1.4	13	
	9.1.5.6	10	
			sf 6
3	1.38.1	20	57
	9.4.1.4	15	
	9.10.4.2	13	
	9.2.4.4	9	
			sf 7
4	8.33.4	12	48
	9.12.1.6	5	
	9.4.5.2	5	
	9.2.3.6	12	
	9.9.3.6	14	
			sf 7
5	6.1.4	22	51
	9.8.1.1	7	
	9.10.5.4	13	
	9.1.5.5	9	
			sf 5
6	1.41.1	22	50
	9.4.1.2	9	
	9.9.4.6	14	
	9.4.4.2	5	
			sf 7
7	1.31.4	18	42
	9.1.4.2	4	
	9.1.4.4	8	
	9.2.4.6	12	
			sf 7
8	7.2.1	6	39
	9.1.3.4	8	
	9.2.3.4	9	
	9.10.3.6	16	
			sf 7
9	2.9.1	39	sf 2

—Total K= 420 —

Total K = 420 (38k@2,57k@3)

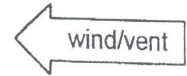
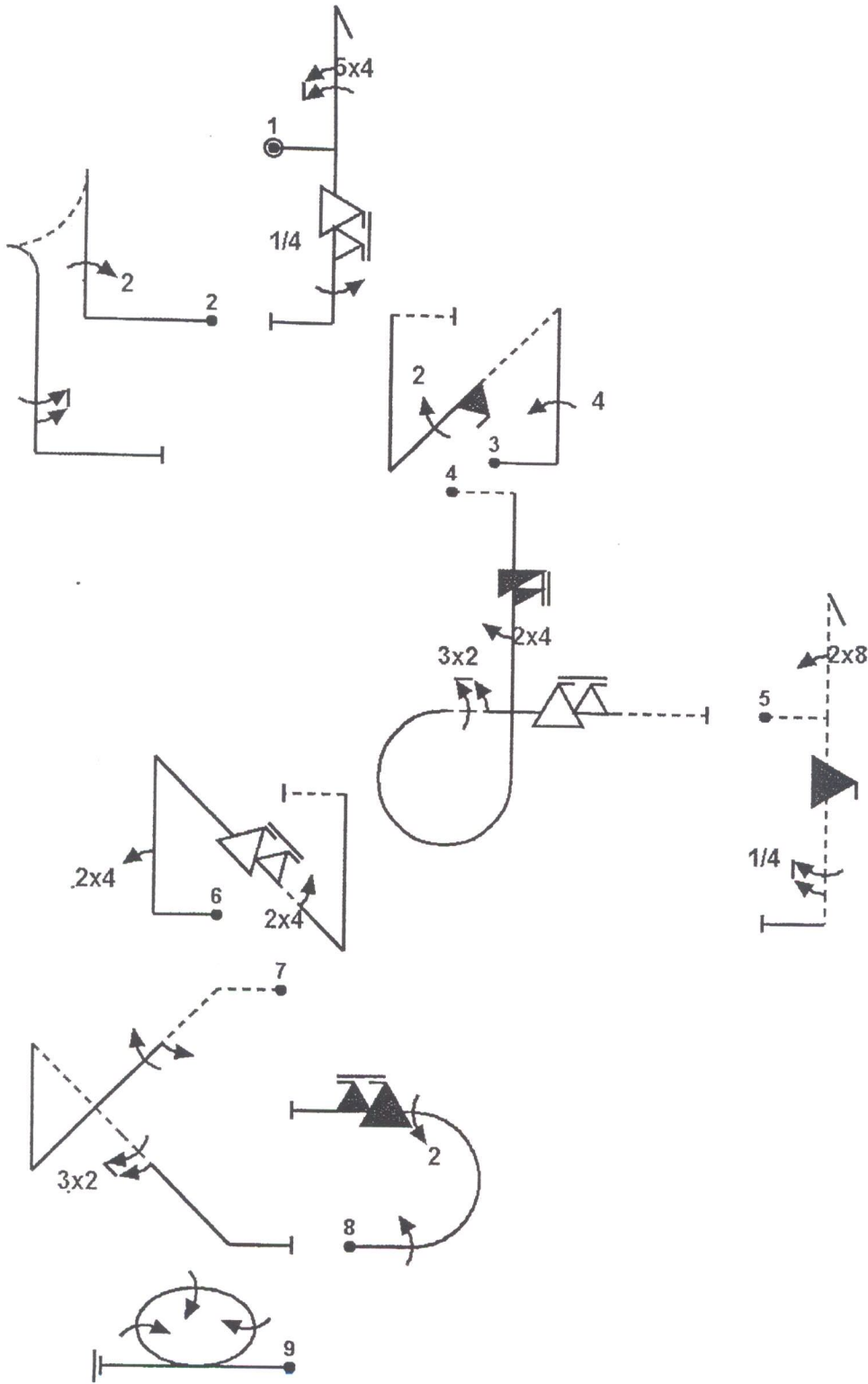
Olan v6.0 © M.Golan http://www.aerobatics.gra.li/olan

Sequence [11 civa unlimited free] Verified OK: 9 Figures, 420K (max)
 54h5f;1 22ita6 44n(2if,22)- -6is,24irp32;6f- -8hif,5 24pn(6f;24)- -2,1iw32 1m22,

Heike Sauels pilot
 E-330 A/C



2011		FORM B
Pilot ID #	Free	Unlimited
		Flight #



No	Catalog No	K	Tot K
1	5.1.1	17	56
	9.4.1.5	18	
	9.9.5.5	13	
	9.1.5.4	8	
2	6.2.1	15	38
	9.2.1.4	13	
	9.1.5.6	10	
3	1.38.1	20	57
	9.4.1.4	16	
	9.10.4.2	13	
	9.2.4.4	9	
4	8.33.4	12	48
	9.12.1.6	5	
	9.4.5.2	5	
	9.2.3.6	12	
	9.9.3.6	14	
5	5.1.4	22	51
	9.8.1.1	7	
	9.10.5.4	13	
	9.1.5.5	9	
6	1.41.1	22	50
	9.4.1.2	9	
	9.9.4.6	14	
	9.4.4.2	5	
7	1.31.4	18	42
	9.1.4.2	4	
	9.1.4.4	8	
	9.2.4.6	12	
8	7.2.1	6	39
	9.1.3.4	8	
	9.2.3.4	9	
	9.10.3.6	16	
9	2.9.1	39	sf 2

—Total K= 420 —

Total K = 420 (38k@2,57k@3)

Olan v6.0 © M.Golan http://www.aerobatics.org.il/olan

Sequence [11 civa unlimited free] Verified OK: 9 Figures, 420K (max)
 54h5f;1 22ita6 44n(2if,22)- -6is,24irp32;6f- -8hif,5 24pn(6f;24)- -2,1iw32 1m22

Heinrich Sauels
 E 330
 pilot
 A/C



Pilot ID #

Unlimited Free

Flight #

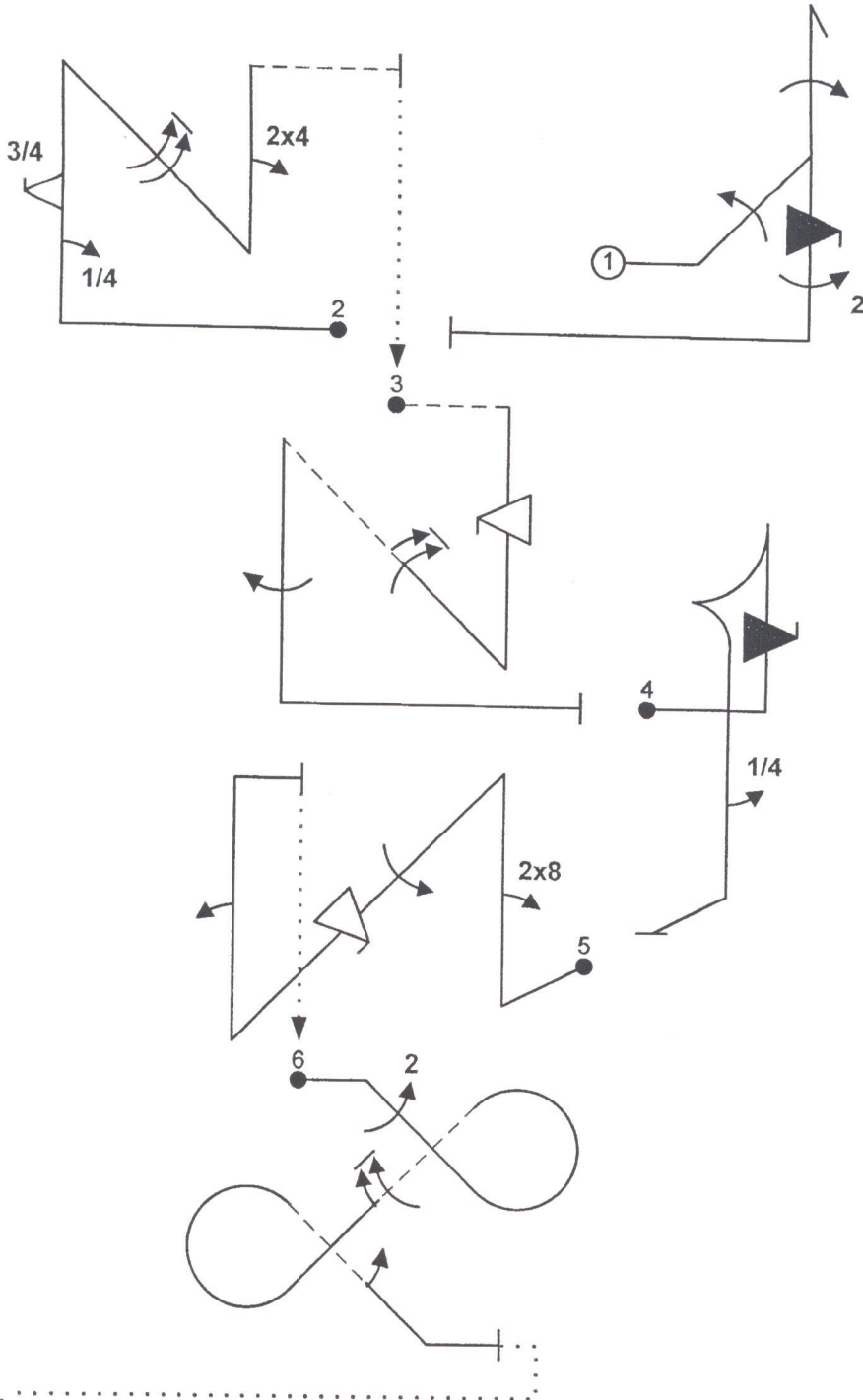
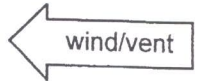


Fig 1	5.2.1 9.1.2.4 9.1.1.4 9.10.5.4 9.2.5.4	18 10 12 13 9	62
Fig 2	1.41.1 9.1.4.8 9.1.1.1 9.4.1.2 9.9.1.3	22 12 6 9 15	64
Fig 3	1.38.4 9.1.2.6 9.9.5.4 9.1.5.4	20 12 11 8	51
Fig 4	6.1.1 9.1.5.1 9.10.6.4	15 2 19	36
Fig 5	1.40.1 9.8.1.1 9.9.4.4 9.1.1.2 9.1.4.4	22 7 11 8 8	56
Fig 6	7.37.3 9.2.4.4 9.1.4.6 9.1.4.2	23 9 10 4	46
Fig 7	1.39.1 9.2.4.6 9.8.1.2	21 12 11	44
Fig 8	9.11.1.6 9.2.3.6 8.40.3	3 12 13	28
Fig 9	2.8.3	33	33
Total K = 420			

Oleg Shpolyanskiy, Russia
SU-26M3
pilot
A/C



WAC 2011

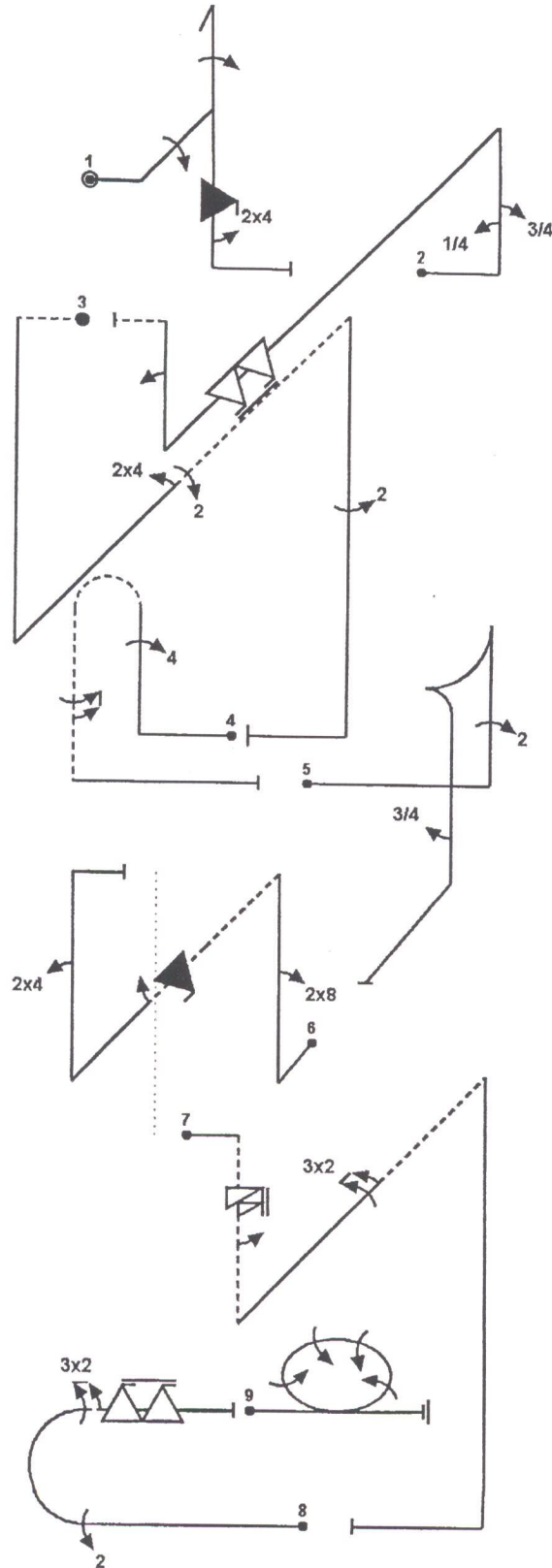
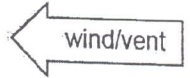
FORM B

Pilot ID #

Free

Unlimited

Flight #



Total K = 420 (34k@5,63k@2)

Olan v6.0 © M. Golian <http://www.aerobatics.org/ilan>

Sequence [civa unlimited free] Verified OK: 9 Figures, 420K (max)

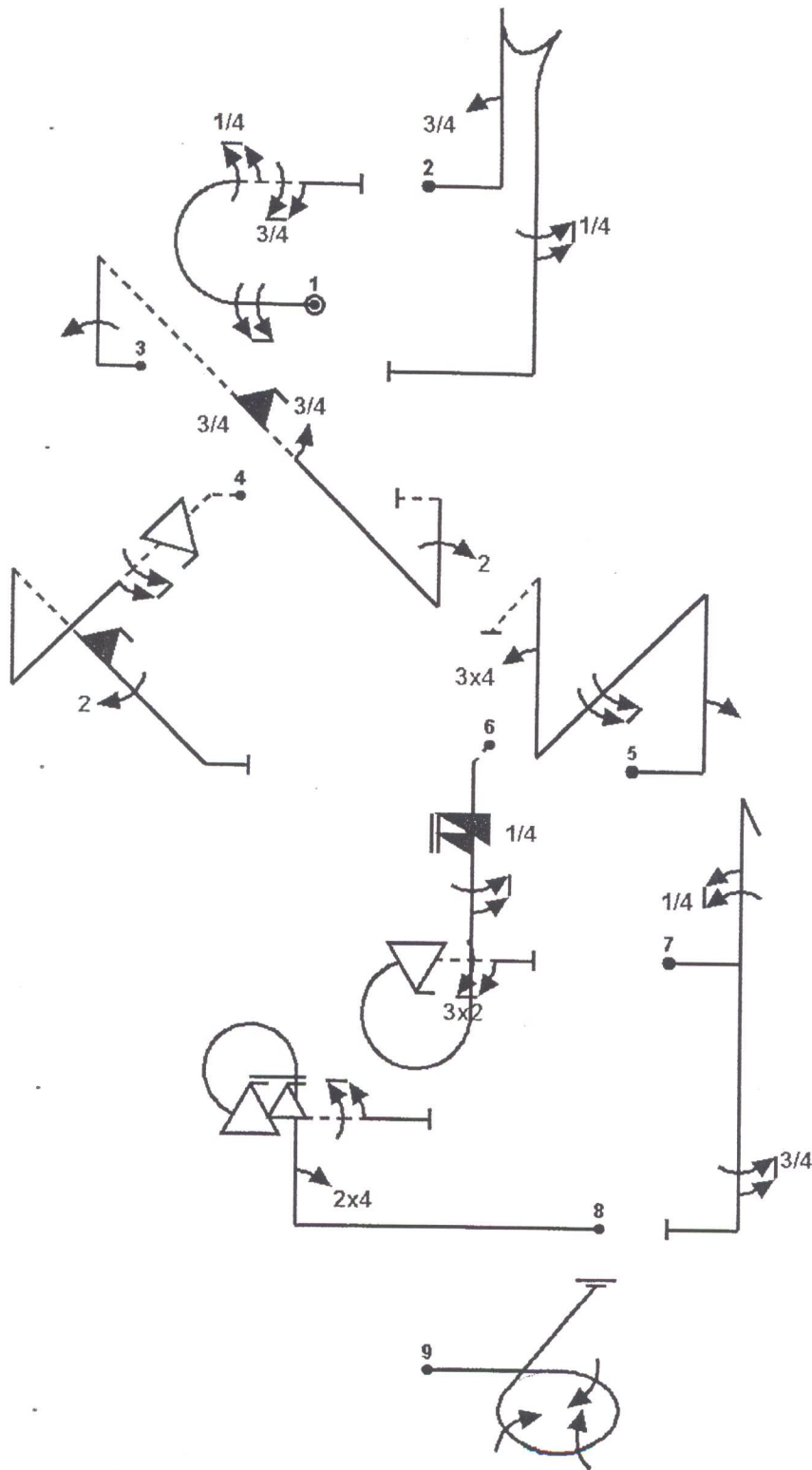
1dh(1)if;244,3pn(9f)2- -in(24,22)22 44pb6 22ta3 8n(if,2)24>^ 6s;2in(32)>^/ 22m

C:\Documents and Settings\Utente\Desktop\Nuova cartella\Šonka Marti

Martin Šonka pilot
 EXTRA 330 SR (H) A/C



WAC		2011	FORM B
Pilot ID #	Free	Unlimited	Flight #



No	Catalog No	K	Tot K
1	7.2.1	6	38
	9.1.3.8	12	
	9.1.3.5	9	
	9.1.3.7	11	
2	6.1.1	15	34
	9.1.1.3	10	
	9.1.5.5	9	
3	1.38.1	20	64
	9.1.1.4	12	
	9.10.4.3	13	
	9.1.4.3	6	
	9.2.1.4	13	
4	1.31.4	18	63
	9.9.9.4	13	
	9.1.4.6	10	
	9.10.4.2	13	
5	9.2.4.4	9	54
	1.41.1	22	
	9.1.1.2	8	
	9.1.4.8	12	
6	9.4.1.3	12	51
	8.39.4	12	
	9.12.1.5	6	
	9.1.5.6	10	
7	9.9.3.4	11	42
	9.2.3.6	12	
	5.1.1	17	
8	9.1.1.5	14	44
	9.1.5.7	11	
	8.33.1	11	
	9.4.1.2	9	
9	9.9.3.6	14	30
	9.1.3.6	10	
9	2.8.1	30	sf 2

—Total K= 420 —

Total K = 420 (30k@9,64k@3)

Sequence [11 civa unlimited free] Verified OK: 9 Figures, 420K (max)

Olan v6.0 © M.Golan http://www.aerobatics.org.il/olan

Philipp Steinbach pilot
D-ESXA A/C



Pilot ID #

Unlimited Free

Flight #

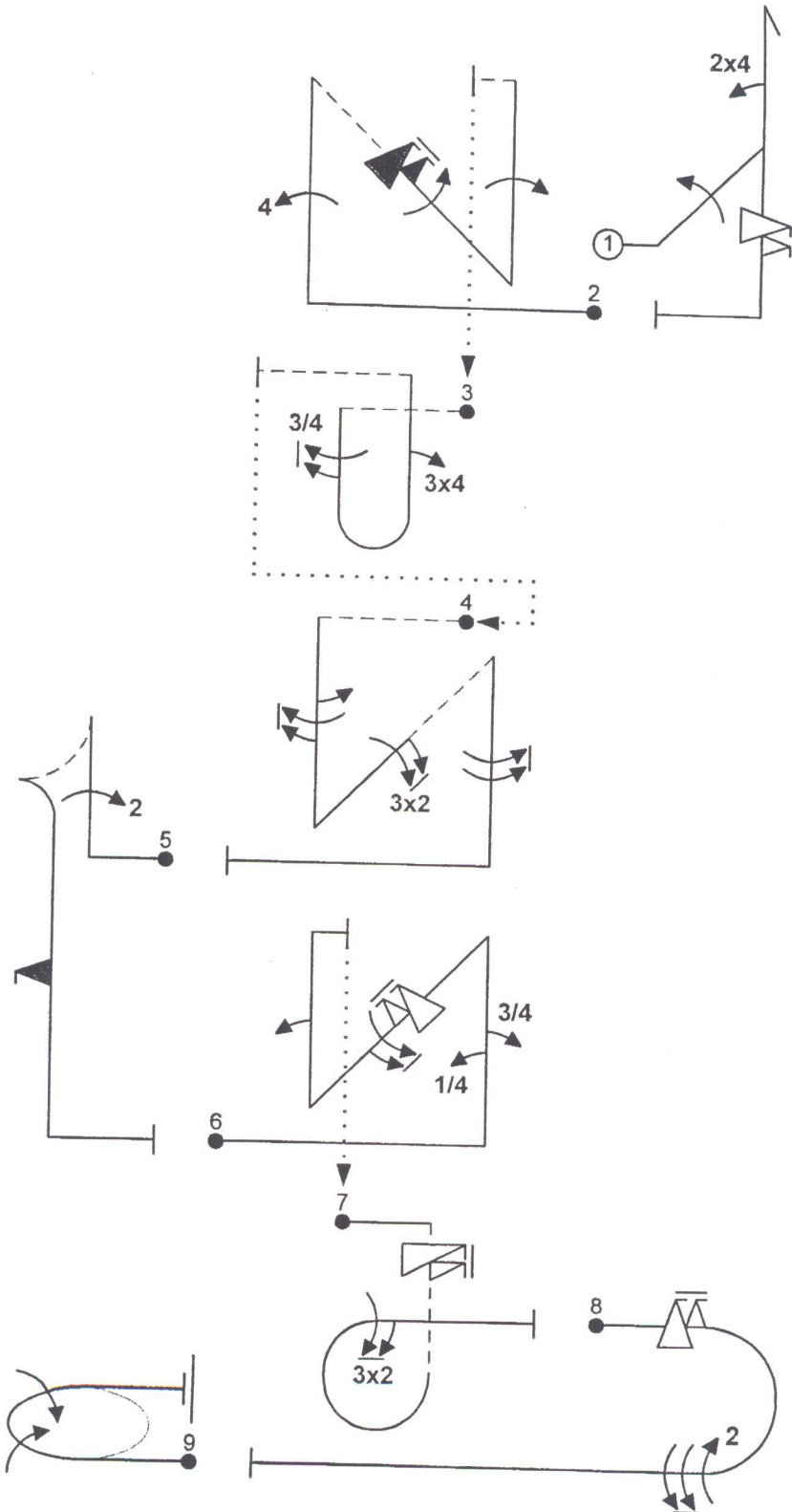
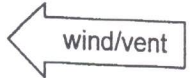


Fig 1	5.2.1 9.1.2.4 9.4.1.2 9.9.5.6	18 10 9 14	51
Fig 2	1.38.1 9.4.1.4 9.10.4.6 9.1.4.4 9.1.1.4	20 15 16 8 12	71
Fig 3	8.1.4 9.1.5.7 9.4.1.3	13 11 12	36
Fig 4	1.38.4 9.1.5.2 9.1.5.6 9.2.2.6 9.1.5.8	20 4 10 14 12	60
Fig 5	6.2.1 9.2.1.4 9.10.5.2	15 13 13	41
Fig 6	1.40.1 9.1.1.1 9.1.1.3 9.9.4.6 9.1.4.6 9.1.1.2	22 6 10 14 10 8	70
Fig 7	8.40.3 9.11.1.6 9.2.3.6	13 3 12	28
Fig 8	7.3.3 9.9.3.6 9.2.3.4 9.1.3.8	6 14 9 12	41
Fig 9	2.6.1	22	22
Total K = 420			

GOODY THOMAS
SUKHOI SU-31
pilot
A/C

Pilot ID #

Unlimited Free

Flight #

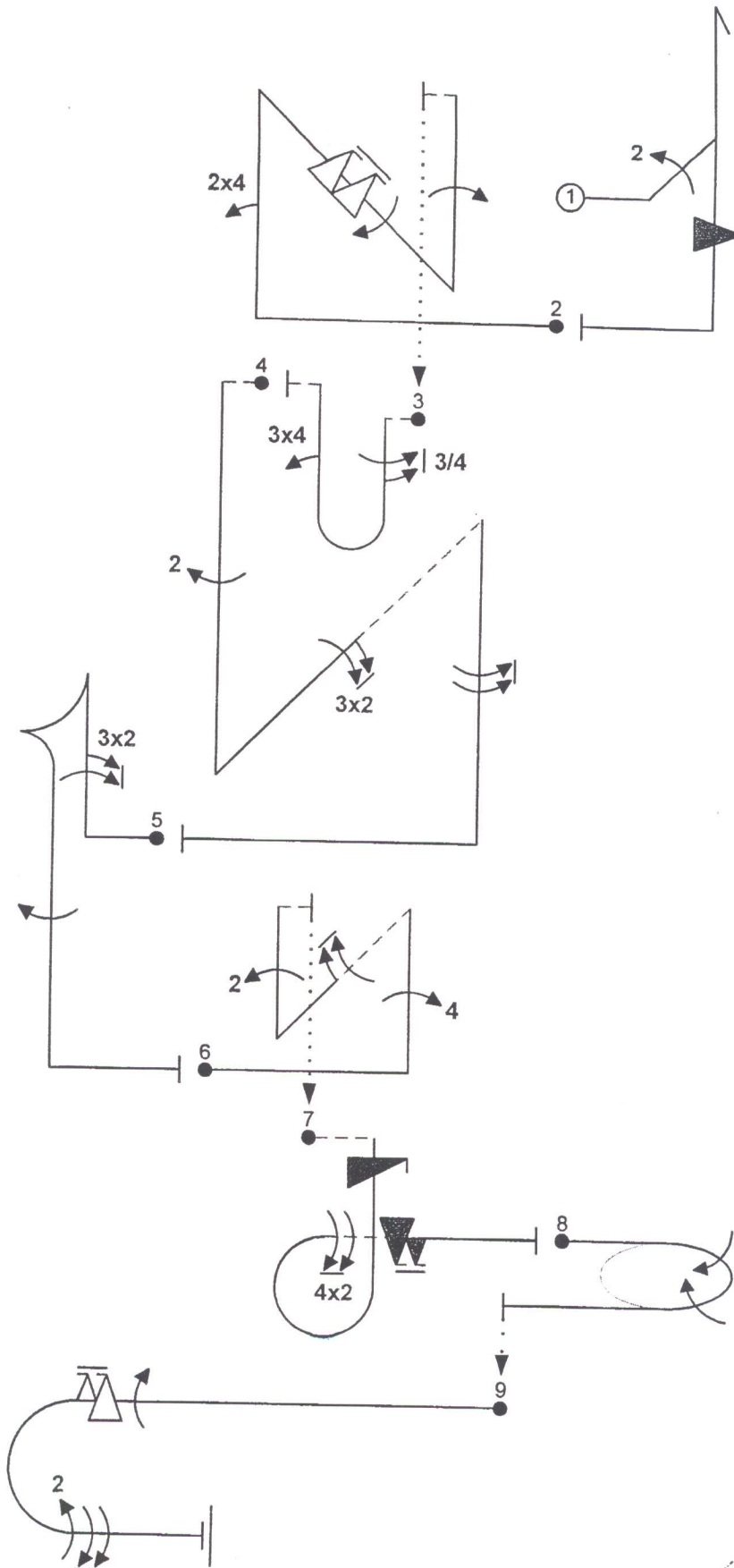
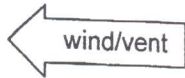


Fig 1	5.2.1 9.2.2.4 9.10.5.4	18 11 13	42
Fig 2	1.41.1 9.4.1.2 9.9.4.8 9.1.4.4 9.1.1.4	22 9 17 8 12	68
Fig 3	8.1.4 9.1.5.7 9.4.1.3	13 11 12	36
Fig 4	1.38.4 9.2.5.4 9.2.2.6 9.1.5.8	20 9 14 12	55
Fig 5	6.1.1 9.2.1.6 9.1.5.4	15 17 8	40
Fig 6	1.38.1 9.4.1.4 9.1.4.6 9.2.1.4	20 15 10 13	58
Fig 7	8.39.4 9.12.1.4 9.2.3.8 9.10.3.6	12 7 15 16	50
Fig 8	2.6.1	22	22
Fig 9	7.3.3 9.1.3.4 9.9.3.6 9.2.3.4 9.1.3.8	6 8 14 9 12	49
Total K = 420			



WAC 2011/Foligno (It)

2011

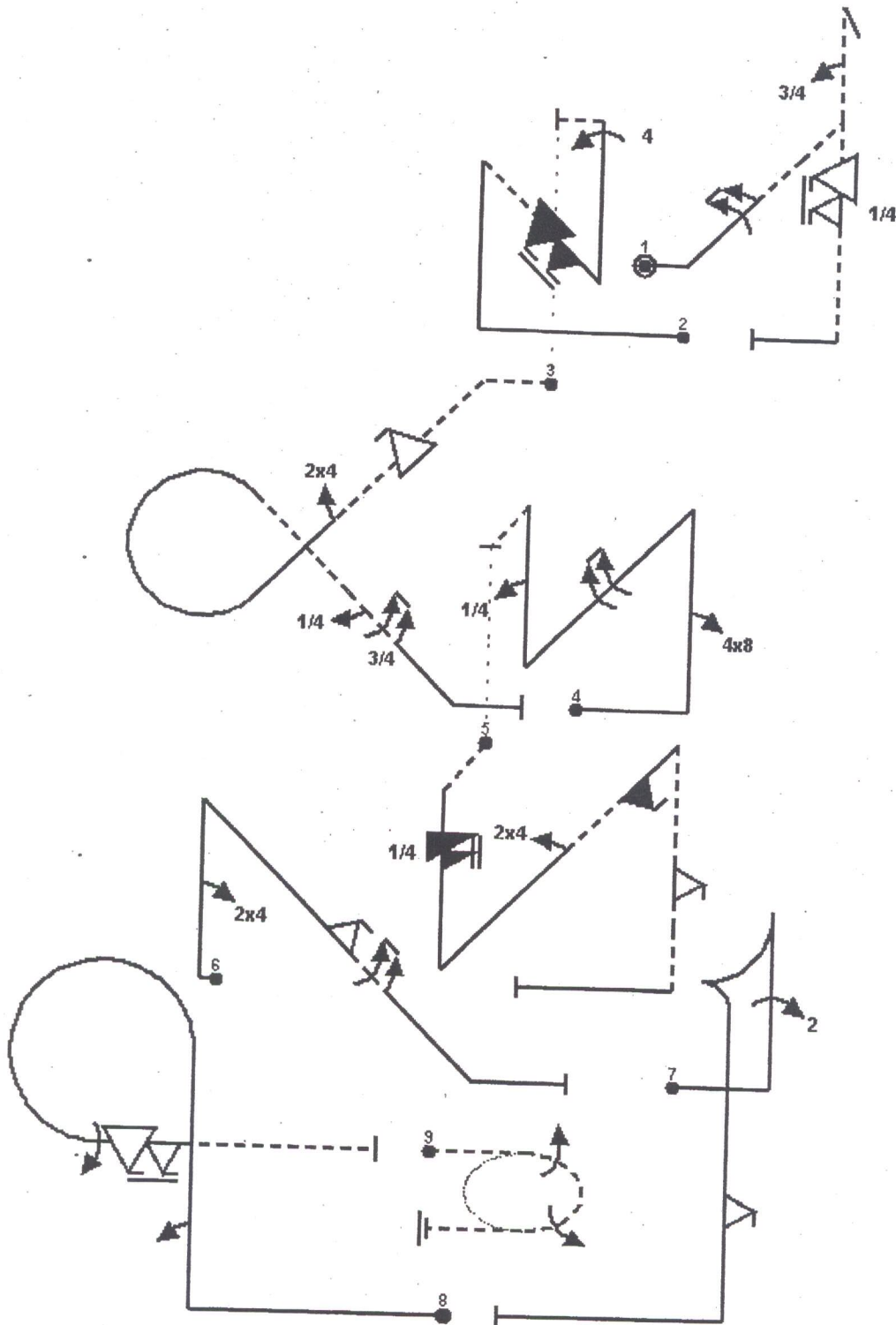
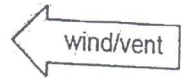
FORM B

Pilot ID #

Free

Unlimited

Flight #



No	Catalog No	K	Tot K
1	5.3.1	24	59
	9.1.2.6	12	
	9.1.1.3	10	
	9.9.5.6	13	
2	1.38.1	20	51
	9.10.4.6	16	
	9.4.1.4	15	
3	7.22.4	15	46
	9.9.9.4	13	
	9.4.4.2	5	
	9.1.4.1	2	
	9.1.4.7	11	
4	1.41.1	22	51
	9.8.1.2	11	
	9.1.4.8	12	
	9.1.1.1	6	
5	1.37.4	22	63
	9.12.1.5	6	
	9.4.2.2	7	
	9.10.2.2	15	
6	1.17.1	14	44
	9.4.1.2	9	
	9.9.4.2	11	
	9.1.4.6	10	
7	6.1.1	15	39
	9.2.1.4	13	
	9.9.5.2	11	
8	8.39.1	12	42
	9.1.1.2	8	
	9.1.3.4	8	
	9.9.3.6	14	
9	2.6.4	25	25

—Total K= 420 —

Total K = 420 (25k@9,63k@5)

Olan v6.0 © M. Golan http://www.aerobatics.org.il/olan

Sequence [11 civa unlimited free] Verified OK: 9 Figures, 420K (max)

6dh(3)5f n(6if)44- -f;24ig4,7 48pn(9)4- -5isin(24,2if)2f 24k2f;6 22ta2f 2rp1;6f-

Pierre VARLOTEAUX
Extra 330 SC
pilot
A/C



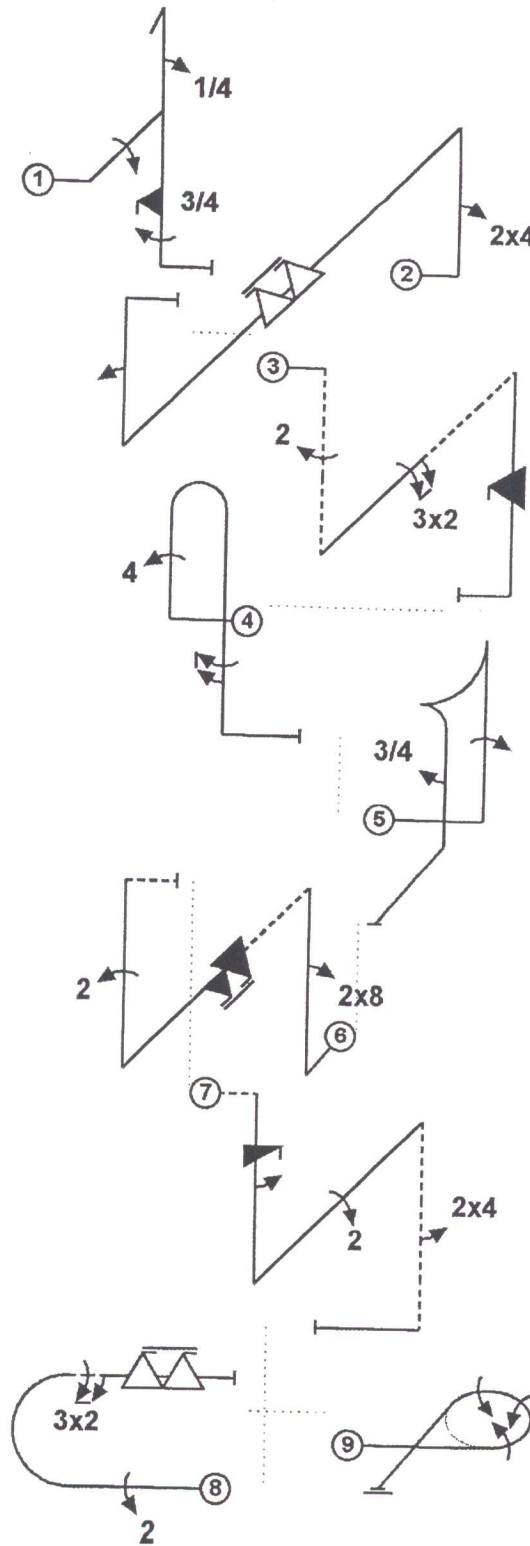
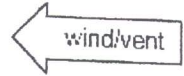
Pilot ID #

Free

Unlimited

FORM B

Fight #



No	Catalog No	K	Tot K
1	5.2.1	18	55
	9.1.2.4	10	
	9.1.1.1	6	
	9.10.5.3	13	
	9.1.5.4	8	
			sf 5
2	1.40.1	22	56
	9.4.1.2	9	
	9.9.4.8	17	
	9.1.1.2	8	
			sf 7
3	1.43.3	21	59
	9.2.5.4	9	
	9.2.2.6	14	
	9.10.10.4	15	
			sf 7
4	8.1.1	13	38
	9.4.1.4	15	
	9.1.5.6	10	
			sf 7
5	6.1.1	15	33
	9.1.1.4	12	
	9.1.5.3	6	
			sf 6
6	1.38.1	20	56
	9.8.1.1	7	
	9.10.4.6	16	
	9.2.1.4	13	
			sf 7
7	1.37.4	22	49
	9.12.1.4	7	
	9.1.5.2	4	
	9.2.2.4	11	
	9.4.5.2	5	
			sf 7
8	7.2.1	6	44
	9.2.3.4	9	
	9.2.3.6	12	
	9.9.3.8	17	
			sf 7
9	2.8.1	30	sf 2

—Total K= 420 —

Total K = 420 (30k@9,59k@3)

Olan v5.10 © M. Golan <http://www.aerobatics.org.il/olan>

Sequence [civa unlimited free] Verified OK: 9 Figures, 420K (max)

Juan Velarde

Sukhoi 26M

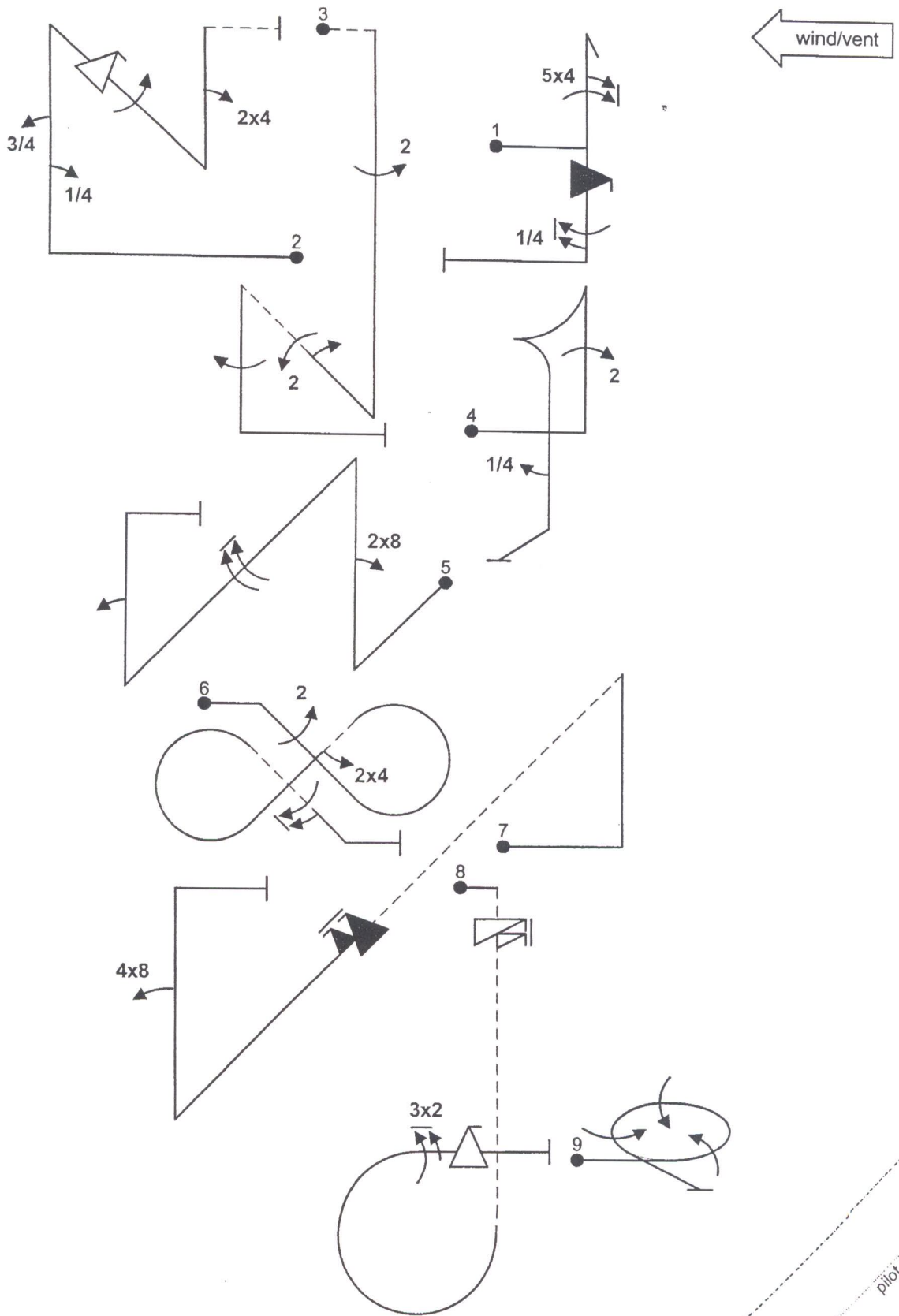
AVC



Pilot ID #

Unlimited Free

Flight #



wind/vent

Richard Wiltshire
Extra 300S
pilot
A/C