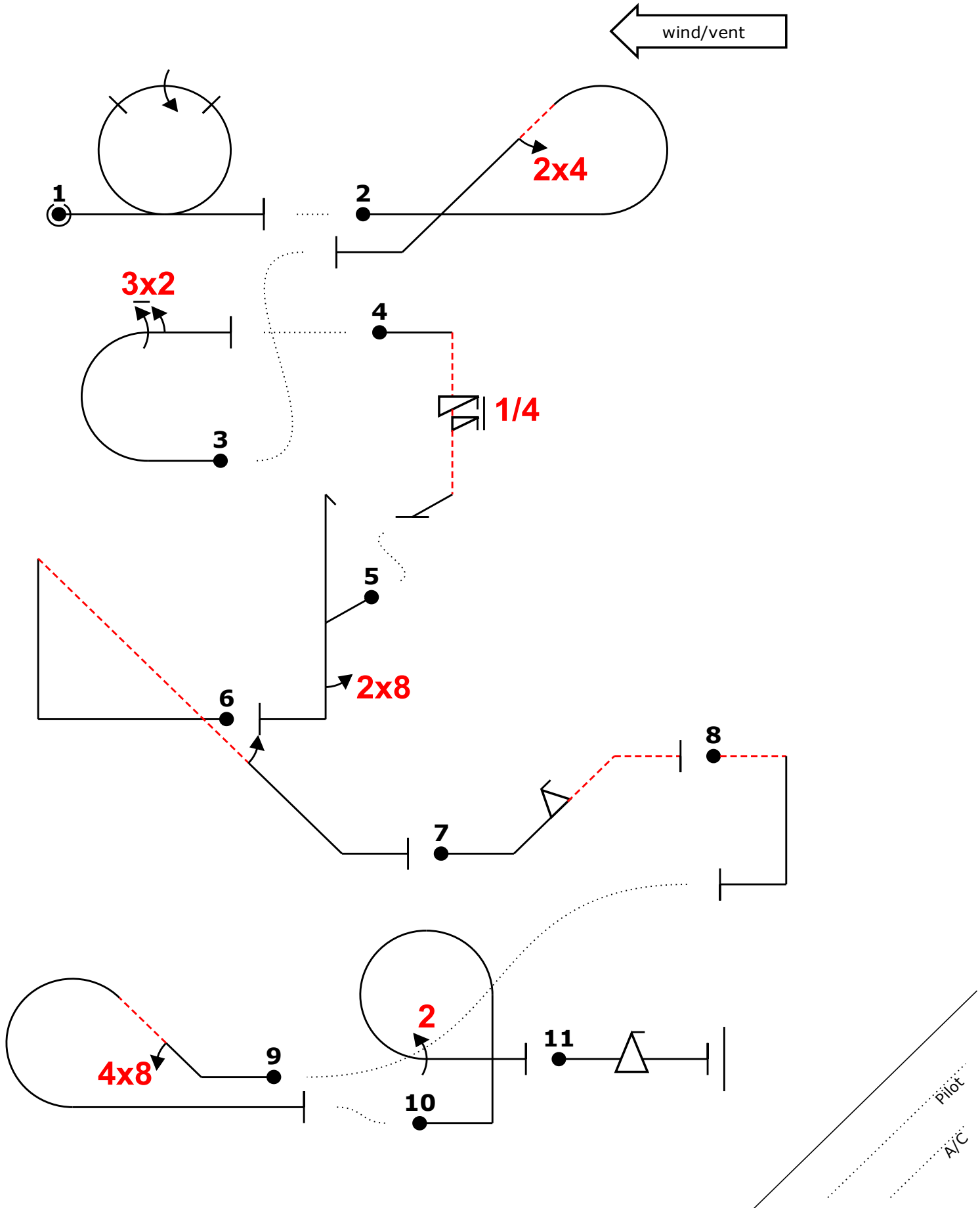


Var. A



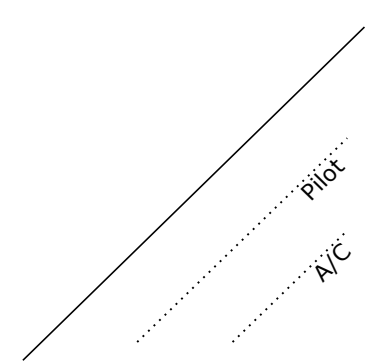
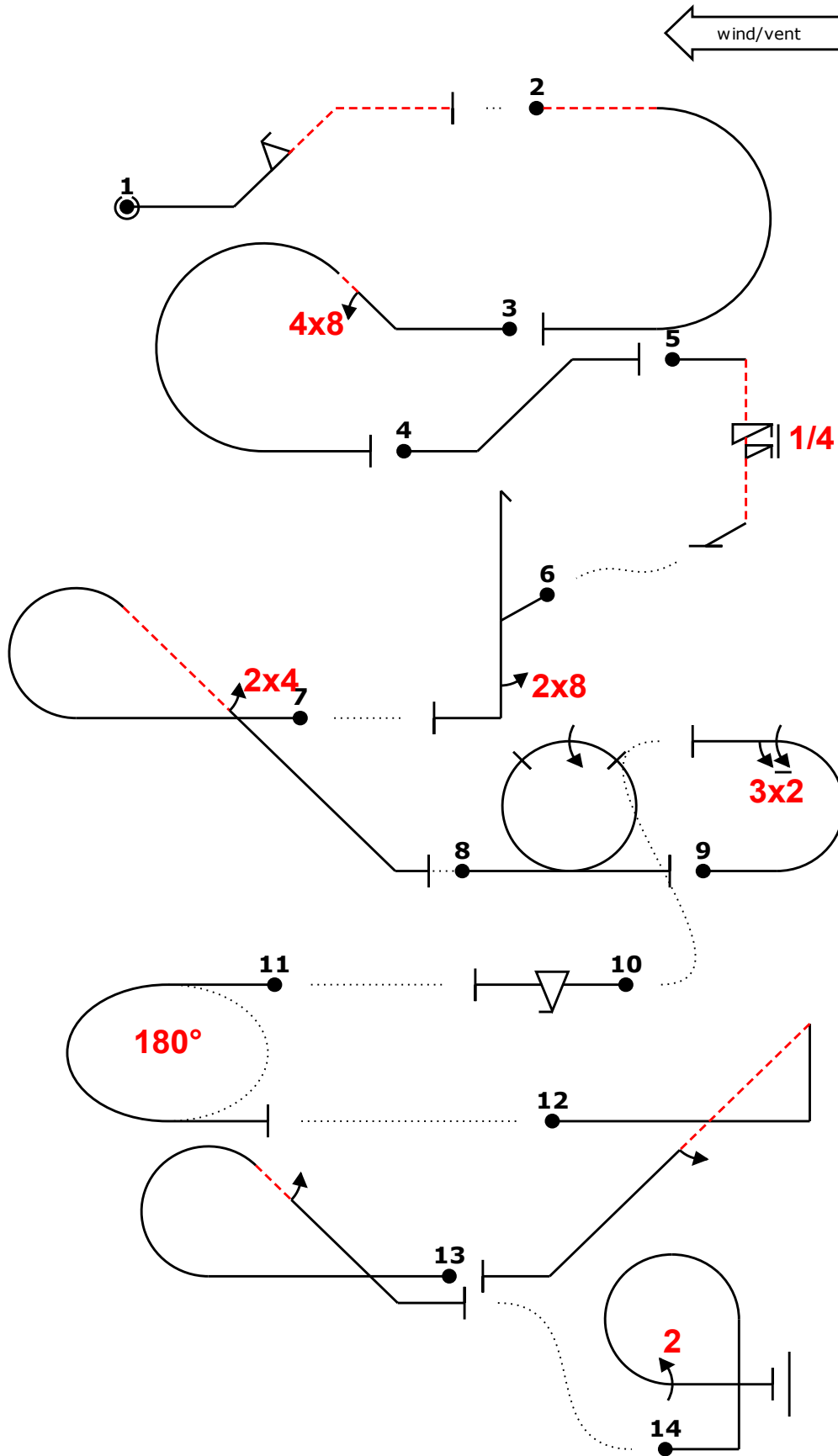
Усмань-Шаршки 2020		Form B
Pilot ID	CIVA Yak52 Unknown1	
	Flight #	



Var. B

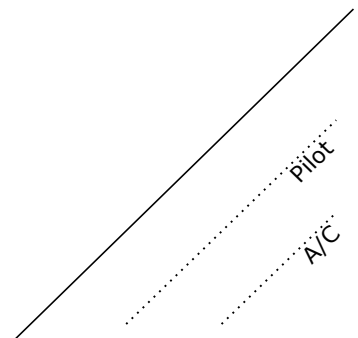
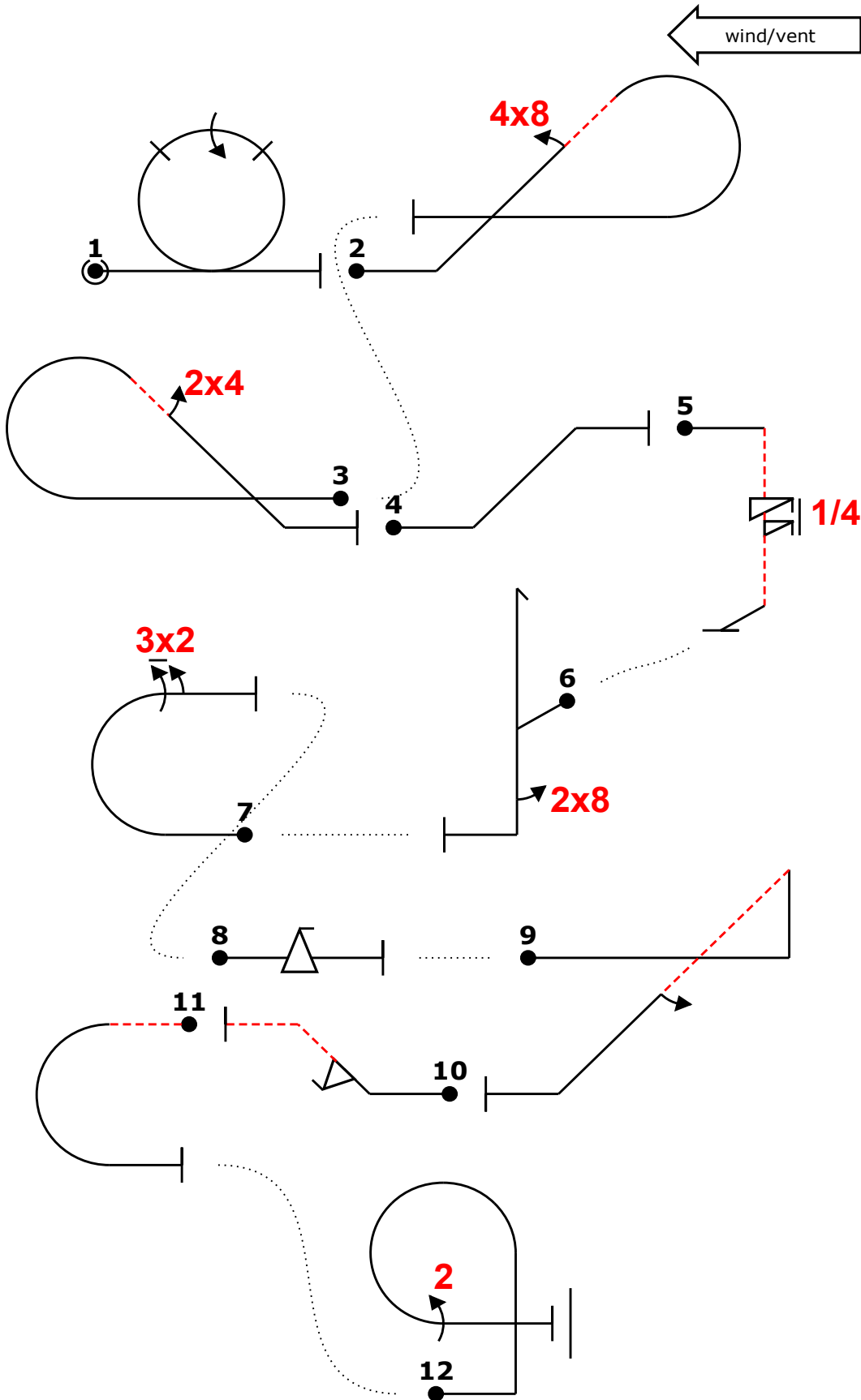


Усмань-Шаршки		Form B
Pilot ID	CIVA Yak52 Unknown1	
	Flight #	





Усмань-Шаршки 2020		Form B
Pilot ID	CIVA Yak52 Unknown1	Flight #



# Var. D



Усмань-Шаршки 2020		Form B
Pilot ID	CIVA Yak52 Unknown1	Flight #

